

NOW PLAYING

MidNite
SOLAR, inc



WWW.MIDNITESOLAR.COM
425-374-9060

MAGNA SINE E-PANEL
4000 WATT 24V
INVERTER/CHARGER

MIDNITE SOLAR PRESENTS

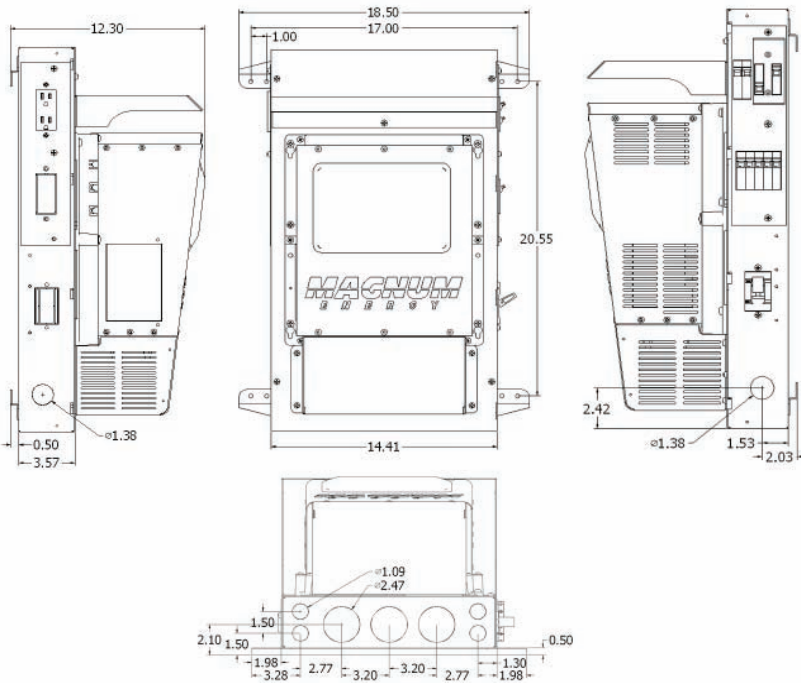
THE MIDNITE SOLAR E-PANEL

**SAVE \$700 ON INSTALLATION AND EQUIPMENT EXPENSES
OVER COMPETING DISCONNECT AND BREAKER BOXES**



Midnite Solar E-Panel (Magnum Version)

Inverter installation just got simpler!



FINISHED ASSEMBLY

FEATURES

- Small size compared to existing disconnect and over current solution
- Pre-wired to save time, money and complexity. All field wiring connections clearly labeled
- White powder coated aluminum or standard gray powder coated steel
- Easily expands to accommodate additional inverters
- Six slots for din rail breakers, PV, Wind, Hydro, AC distribution
- Pre-wired 50 amp 240VAC rated Inverter AC bypass switch
- Pre-wired 50 amp 240VAC rated AC Input disconnect
- Bus bars for Battery Plus, Battery Minus and ground
- Mounting hardware for Inverter and charge controller
- Mounting brackets for hanging E-Panel on wall
- Heavy duty 175 amp AC distribution block
- ETL listed to UL and Canadian standards
- Standard Right hand hinged door to mount inverter
- Knockouts for AC and DC conduits
- Charge control bracket (CCB)
- Cut outs for two GFCI outlets
- DC Inverter battery breaker
- Internal inverter cables

MODEL NUMBER CODE:

MNE.....175.....ST or AL.....M
 Midnite E-Panel DC Inverter breaker Steel or Aluminum Magnum

Model No.	Sinewave Inverters	Modified Inverters	Price
MNE250STM	MS2012, MS2812, MS4024	RD3924	\$ 479
MNE250ALM	MS2012, MS2812, MS4024	RD3924	\$ 519
MNE175STM		RD1824, RD2824	\$ 479
MNE175ALM		RD1824, RD2824	\$ 519

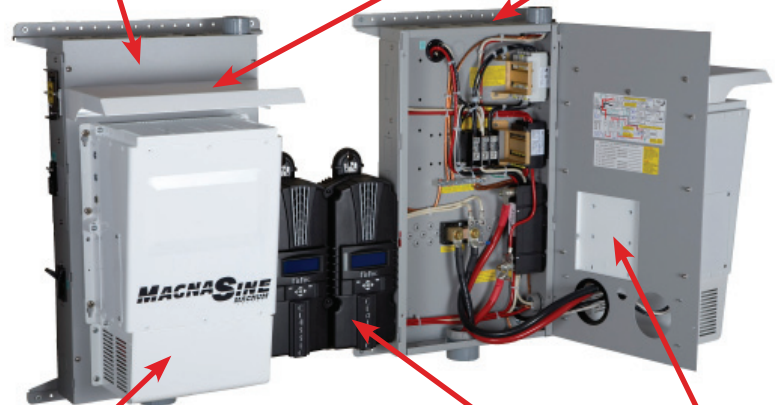
OPTIONS:	Price
MNEleftdoorSTM - Left hand hinge steel door w/right hand CCB	\$ 59
MNEleftdoorALM - Left hand hinge aluminum door w/right hand CCB	\$ 65
MNEPV63 - 63 amp 125VDC din rail mount breaker	\$ 15
MNDC-GFP - 63 amp DC GFP breaker assembly with 1/2amp trip	\$ 65

See www.outbackpower.com for additional din rail mount breakers (OBAC & OBPV)
 Prices do not include the Magnum Inverter.

See www.midnitesolar.com for the evolution of the E-Panel
 ETL tested an open E-Panel door with 360 pounds installed

Stacking horizontal or vertical is easy

- Knock outs align top and bottom for vertical stacking
- Left hand door required for horizontal stacking
- Exhaust opening shield included



- Inverter Cable Cover included
- Charge controllers mount between E-Panels
- Convection air cooling for increased power and charging



14000 Burn Road
 ARLINGTON, WA 98223 USA
 PHONE: 425-374-9060 FAX: 360-691-6862
www.midnitesolar.com

Support your local Installer

