

IronRidge Enclosures & Racks

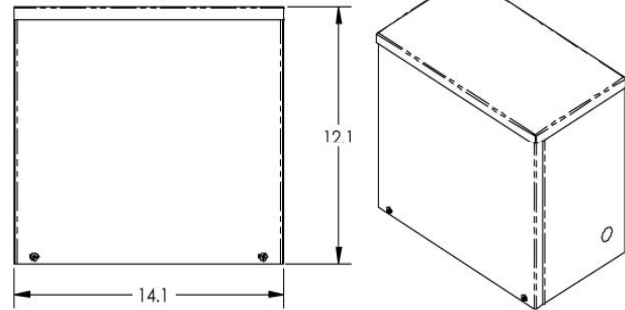
PARTS LIST & PRICE GUIDE

Part Number	Name	Description	Dimensions	MSRP(1+)	MSRP(5+)	MSRP(10+)
Enclosures						
55-2501-010	Econobox	Holds 1 Group 27/31 Battery	8 x 14 x 12	\$125.00	\$125.00	\$125.00
55-0100-100	LCF-01A	Holds 1 Group 27/31 Battery	8 x 15 x 17	\$250.00	\$250.00	\$250.00
55-0100-102	LCF-02A	Holds 2 Group 27/31 Batteries	14.5 x 16 x 20	\$300.00	\$300.00	\$300.00
55-2003-431	OES-431	Holds 4 Group 27/31 Battery	14.5 x 16 x 32	\$1200.00	\$650.00	\$575.00
55-1624-421	1624BE-04A	Holds 4 Group 27/31 Batteries	14.5 x 16 x 37	\$1625.00	\$1100.00	\$1000.00
55-2700-200	BEE8D-02A	Holds 2 Group 8D Batteries	24 x 25 x 14	\$750.00	\$350.00	\$275.00
55-2700-410	BEE8D-04A	Holds 4 Group 8D Batteries	24 x 48 x 14	\$875.00	\$500.00	\$450.00
55-2700-600	BEE8D-06A	Holds 6 Group 8D Batteries	24 x 70 x 14	\$1000.00	\$625.00	\$575.00
Battery Racks						
57-0880-010	KDR-88D	Holds 8 8D Batteries	22 x 46 x18	\$825.00	\$550.00	\$525.00
57-2008-010	88D Cover	Optional cover kit for KDR-88D	22 x 46 x18	\$475.00	\$400.00	\$375.00
Pole Mount Kits						
29-5010-115	PMK-2	Mounts Enclosure on 2" Pole	2" clamp	\$70.00	\$70.00	\$70.00
29-5010-116	PMK-3	Mounts Enclosure on 3" Pole	3" clamp	\$70.00	\$70.00	\$70.00
29-5010-117	PMK-4	Mounts Enclosure on 4" Pole	4" clamp	\$70.00	\$70.00	\$70.00
29-5010-118	PMK-6	Mounts Enclosure on 6" Pole	6" clamp	\$70.00	\$70.00	\$70.00

One and Two Group 27/31 Battery Enclosures

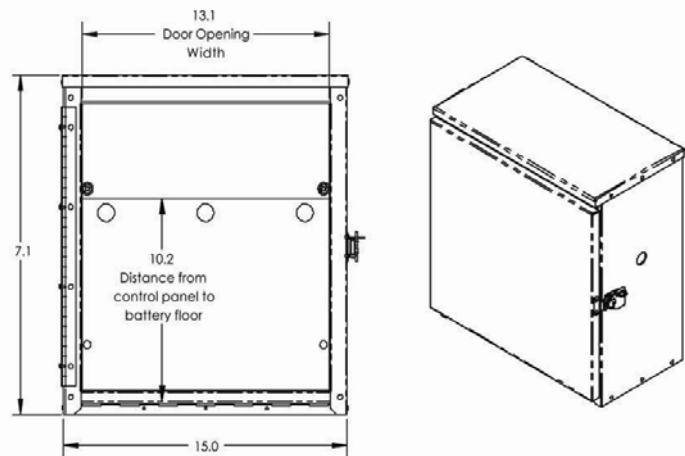
Econobox

- Holds 1 Group 27/31 battery
- Easy slide-off cover
- All aluminum construction
- White powder coat finish
- Stainless steel hardware
- Pole mount option



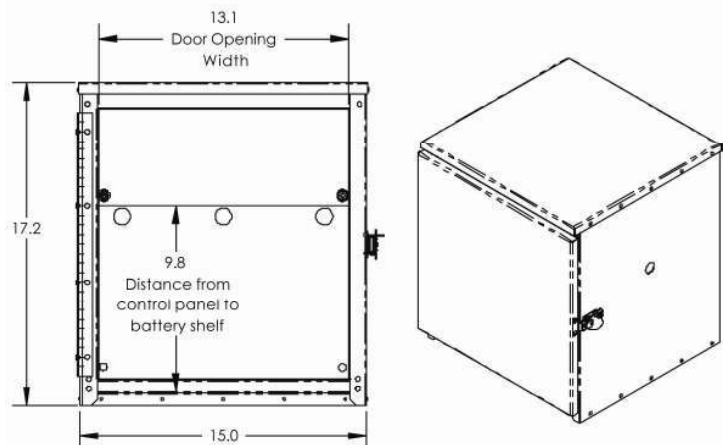
LCF-01A

- Holds 1 Group 27/31 battery
- Removable control panel
- Full length piano hinges
- Stainless steel pad-lockable compression latch
- All aluminum construction
- White powder coat finish
- Passive ventilation
- NEMA 3R equivalent
- Pole or wall mount options



LCF-02A

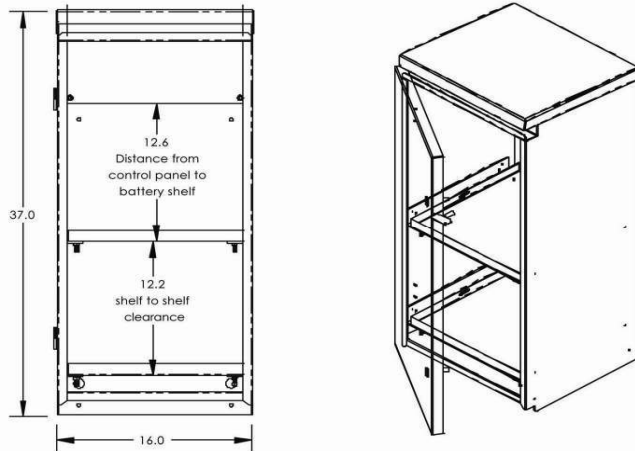
- Holds 2 Group 27/31 batteries
- Removable control panel
- Full length piano hinges
- Stainless steel pad-lockable compression latch
- All aluminum construction
- White powder coat finish
- Passive ventilation
- NEMA 3R equivalent
- Pole or wall mount options



Four Group 27/31 Battery Enclosures

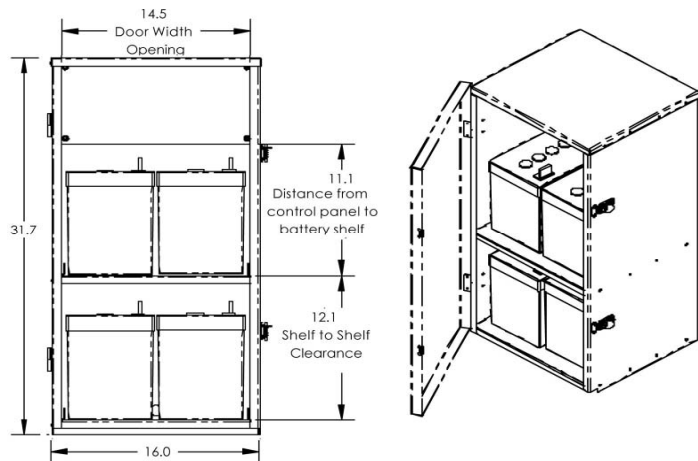
1624-BE04A

- Holds 4 Group 27/31 batteries
- Removable control panels
- Full length piano hinges
- Stainless steel tumbler style latches
- Removable doors and trays
- All aluminum construction
- White powder coat finish
- Passive ventilation
- NEMA 3R equivalent
- Pole mount option



OES-431

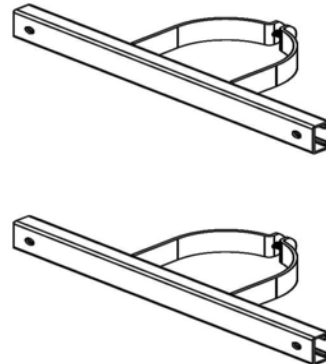
- Holds 4 Group 27/31 batteries
- Removable control panels
- Stainless steel pad-lockable compression latch
- Removable door
- All aluminum construction
- White powder coat finish
- Passive ventilation
- NEMA 3R equivalent
- Pole or wall mount options



Optional Accessories

Optional Pole Mount Kit

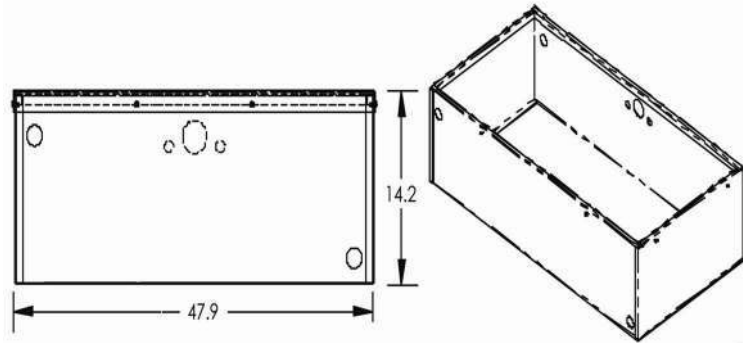
- Can mount:
 - ◆ Econobox
 - ◆ LCF-01A
 - ◆ LCF-02A
 - ◆ 1624-BE04A
 - ◆ OES-431
- Available in 2", 3", 4", 6" nominal pipe sizes



8D Battery Enclosures and Racks

BEE Series Enclosures

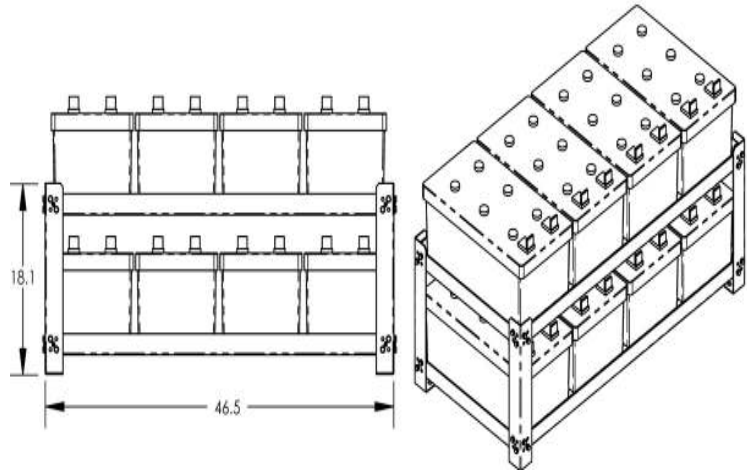
- Holds 2-6 Group 8D batteries
- Electrical knockouts in convenient locations
- Stainless steel lid hardware
- All aluminum construction
- White powder coat finish
- Passive ventilation
- NEMA 3R equivalent
- Shelf or floor mounted



BEE8D-04A shown

Knock Down Battery (KDR) Rack

- Holds 8 8D batteries
- Unassembled for economical shipping costs
- All aluminum construction
- White powder coat finish
- Optional cover kit available
- Floor mounted



Shown without optional cover