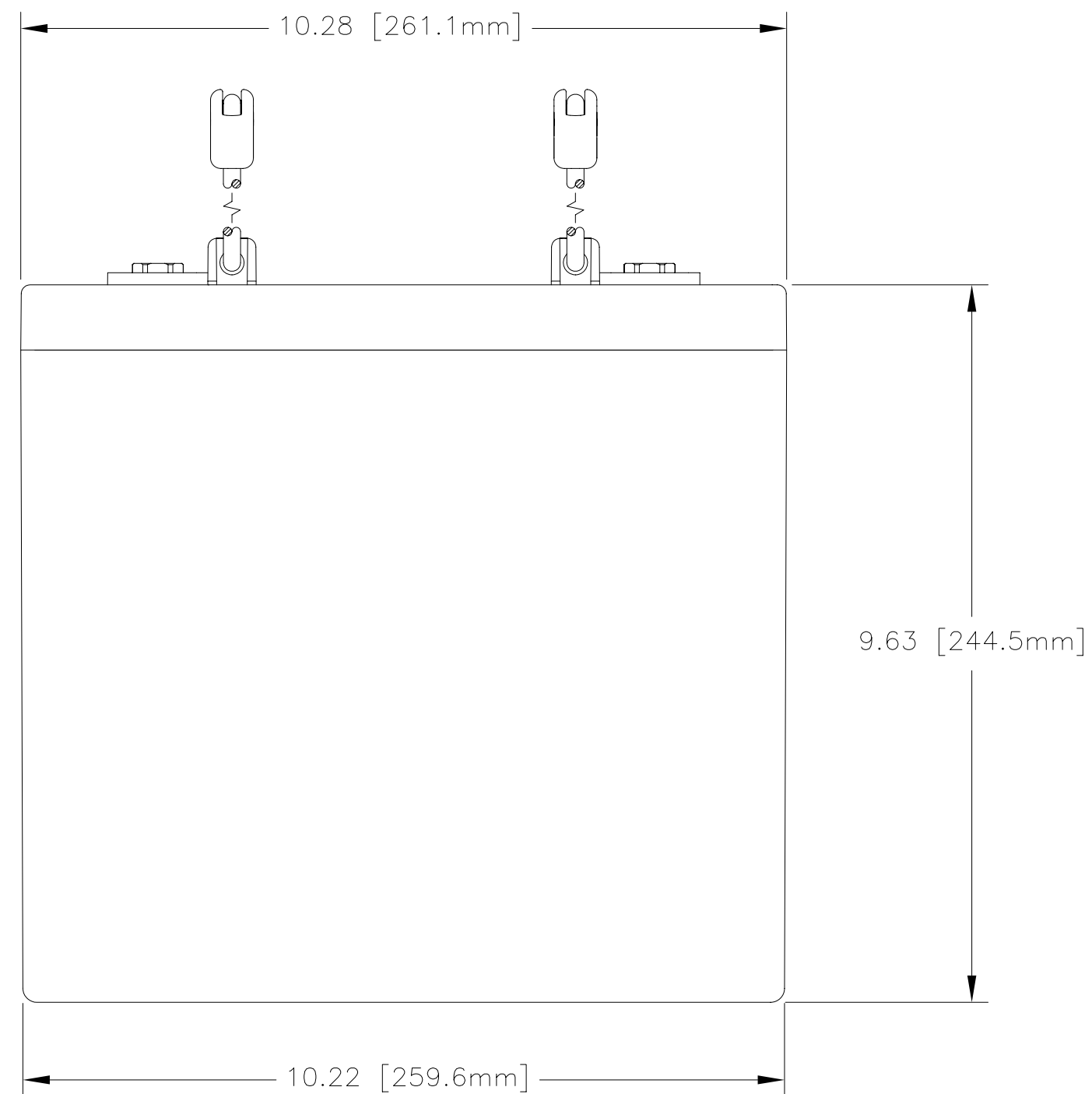
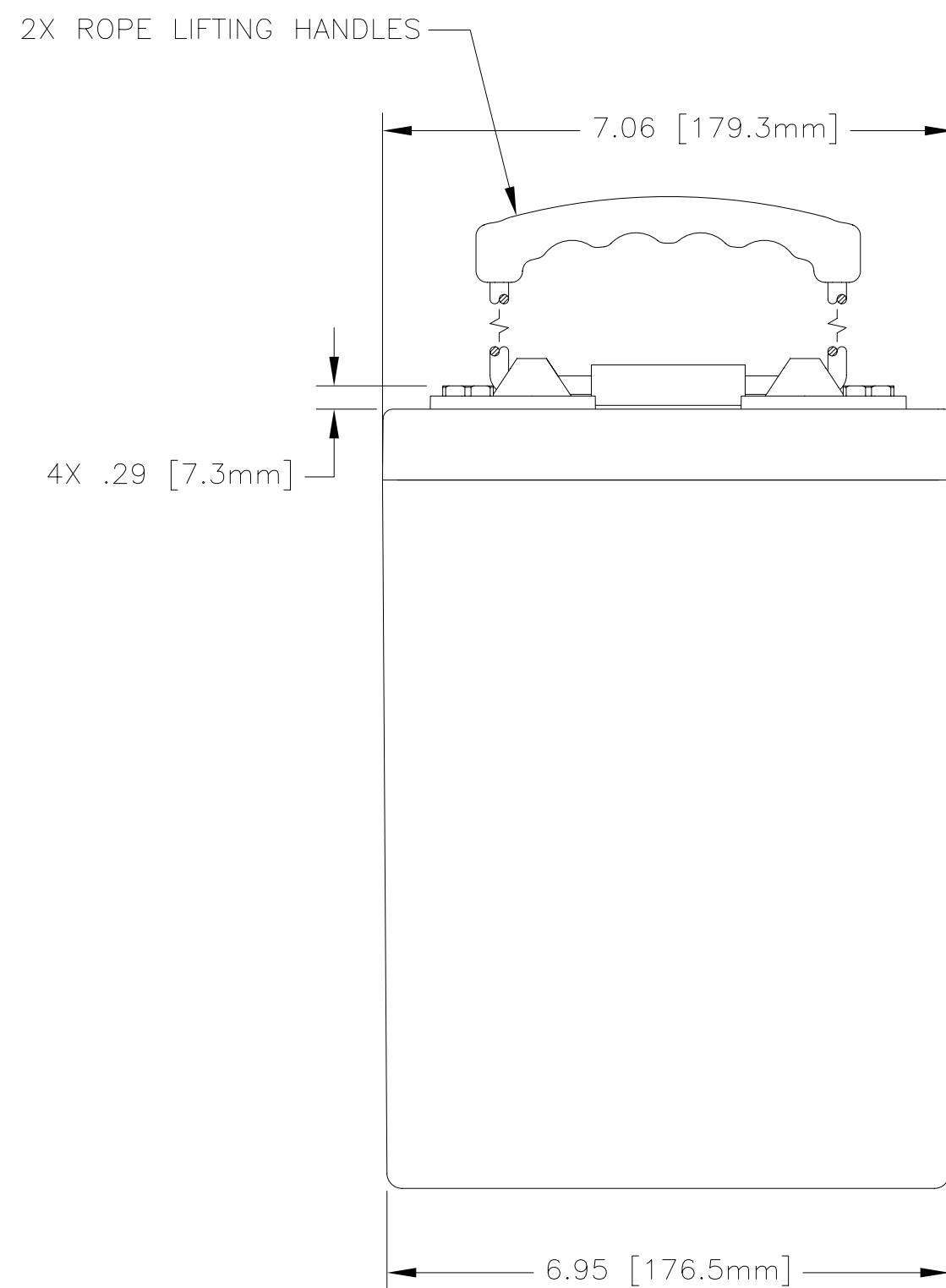
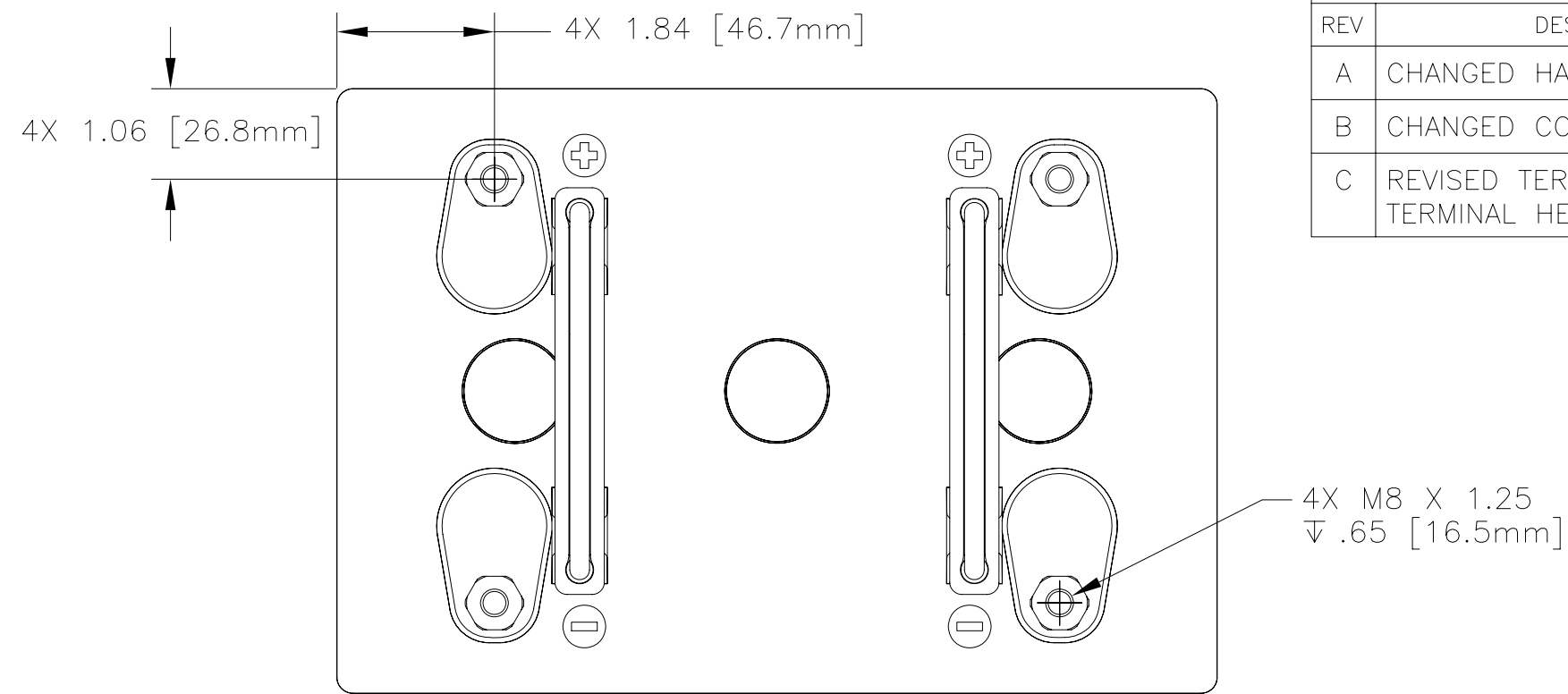


NOTES: UNLESS OTHERWISE SPECIFIED

1. SEE DRAWING NO. CB-00281 AND PROCEDURE P-1000 FOR ASSEMBLY AND TEST INSTRUCTION. PROCEDURES AND ASSEMBLY DRAWING ARE FOR INTERNAL USE ONLY.
2. ALL TESTING IS PERFORMED IAW BATTERY COUNCIL INTERNATIONAL STANDARDS.
3. ALL DIMENSIONS ARE IN INCHES [MM]
4. ABBREVIATION USED IN TITLE IS: SEALED LEAD ACID (SLA)
5. TERMINAL HARDWARE KIT PROVIDED, PART NUMBER 6923

REVISIONS			
REV	DESCRIPTION	DATE	APPROVED
A	CHANGED HANDLE DIRECTION	2/26/07	JBT
B	CHANGED COVER & HANDLE	11/6/07	JBT
C	REVISED TERMINAL DAMS, TERMINAL HEIGHT & HANDLES	9/16/09	JBT



ENVELOPE DRAWING

CAPACITY RATINGS	
PART NUMBER	PVX-6720T
NOMINAL WEIGHT	70 LBS [31.8 KG]
AMPERE HOUR CAPACITY @ 24 HOUR 1.75 VOLTS/CELL @ 77°F (25° C)	672 AH

QTY REQD	CAGE CODE	PART OR IDENTIFYING NO.	NOMENCLATURE OR DESCRIPTION	MATERIAL SPECIFICATION	ITEM NO.
PARTS LIST					
UNLESS OTHERWISE SPECIFIED DIMENSIONS ARE IN INCHES TOLERANCES ARE: FRACTIONS DECIMALS ANGLES ± 1/32 .XX ± .12 ± 1° .XXX ± .060			CONTRACT NO.	CONCORDE BATTERY CORPORATION 2009 SAN BERNARDINO RD, W. COVINA, CA 91790	
TREATMENT NONE			APPROVALS	DATE	TITLE
FINISH NONE			DRAWN D AYALA	12/19/06	BATTERY, SLA, 2 VOLT, PVX-6720T
SIMILAR TO N/A			CHECKED AMIII	1/9/07	SIZE C
ACT WT N/A			APPROVED JBT	1/10/07	CAGE CODE 63017
CALC WT N/A			ISSUED JJ	9/18/09	DWG NO. PVX-6720T
			SCALE 1/2		REV C
					SHEET 1 OF 1