

# ZOMEWORKS

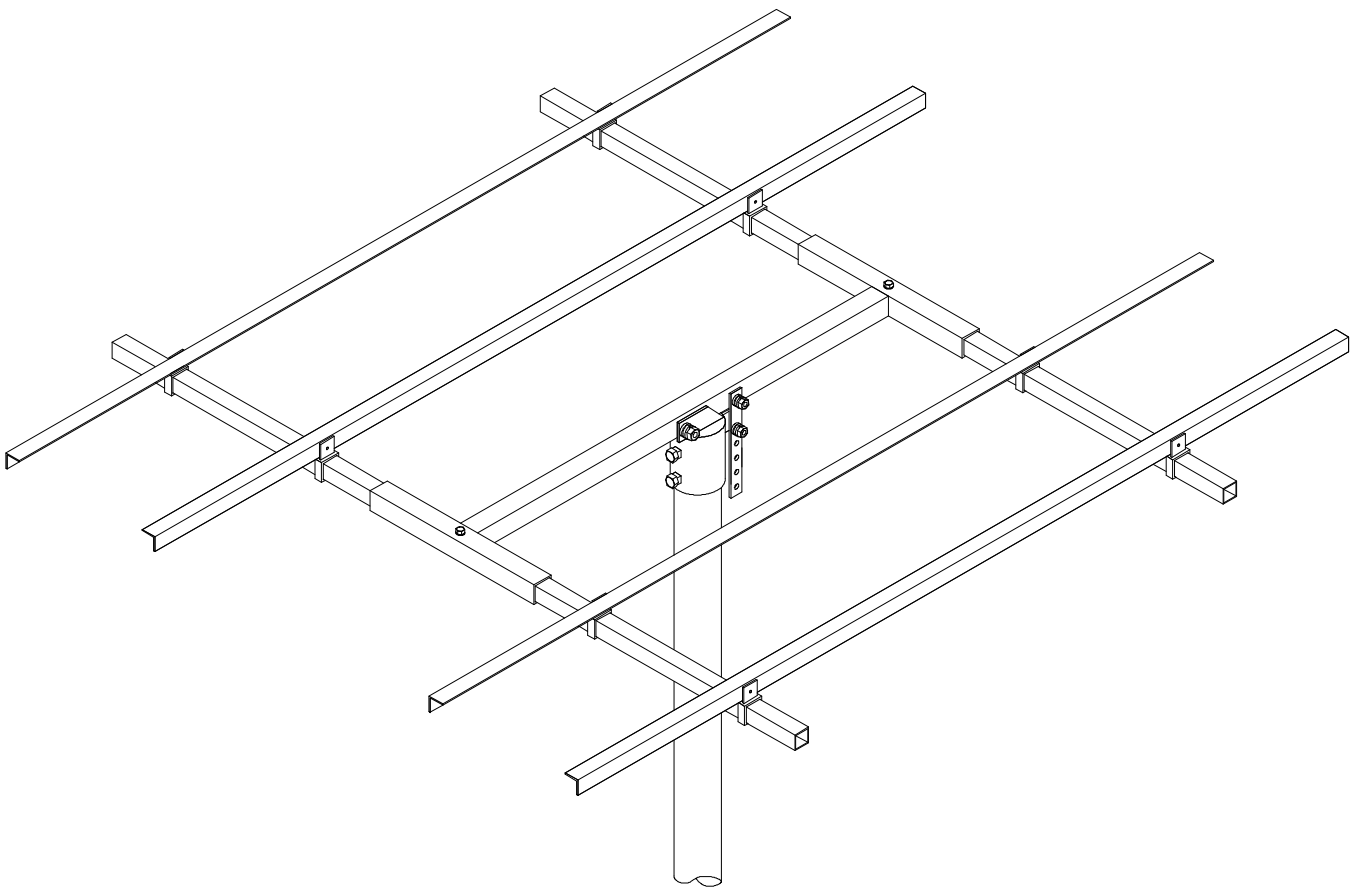
---

# CORPORATION

## FXL-120 FIXED RACK™

## ASSEMBLY INSTRUCTIONS

SALES ORDER # \_\_\_\_\_



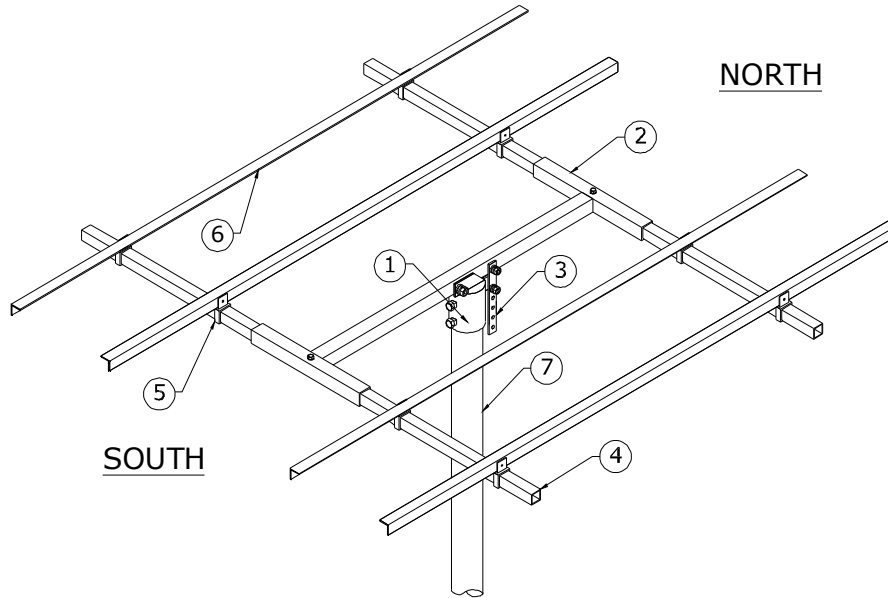
1011 Sawmill Road NW, PO Box 25805, Albuquerque, NM 87125 USA  
(505) 242-5354 / (800) 279-6342 / FAX (505) 243-5187  
E-mail: [zomework@zomeworks.com](mailto:zomework@zomeworks.com)

Revised 4/7/10

# TABLE OF CONTENTS

Table of Contents	Page 1
FXL-120 Series Recommended Tools and Parts list	Page 2
FXL-120 Series Hardware List	Page 3
FXL-Series Pole Installation Details	Page 4
Step 1: Attaching the Gimbal to Mounting Pole	Page 5
Step 2: Attaching the I-Beam to the Gimbal	Page 5 - 6
Step 3: Installation of the Seasonal Adjustment Arm	Page 6 - 7
Step 4: Attaching the Truss-Tubes to the I-Beam	Page 7
Step 5: Installation of Truss-Tube Sliders	Page 8
Step 6: Module-Mounting Rail Installation	Page 8 - 9
Step 7: Module Installation	Page 9
Step 8: Seasonal Adjustment and Final Instructions	Page 10
ZOMEWORKS Limited/Extended Warranty	Page 11

# FXL-120 Series Recommended Tools & Parts List



## RECOMMENDED TOOLS:

- (2) Adjustable 12" Crescent Wrenches.
- (2) 1-1/8", 15/16", 3/4", 9/16 and 7/16" Wrenches.
- Rubber Mallet (Hammer will scratch the finish).
- Heavy hammer and wood block (for truss tubes)
- (2) Sawhorses (Not required, but helpful).
- (2) 6 ft Step ladders.
- Tape Measure.

**NOTE TO INSTALLER:** The installer must provide their, own schedule 40 steel pipe. Your Fixed Rack™ may hold more modules than illustrated, but the concept is the same. Before assembling your Fixed Rack™, use the list below to assure that you have all of your components. In the event that you may have missing parts, contact **ZOMEWORKS Customer Service @ 1-800-279-6342**. **PLEASE** have your **SALES ORDER NUMBER, DATE OF PURCHASE**, along with your **DEALER NAME** when calling.

FXL-120 PARTS LIST		
Key	Quantity	Structural Component Description
1	1 ea.	Gimbal Can
2	1 ea.	I-Beam
3	1 ea.	Seasonal Adjustment Arm
4	2 ea.	Truss Tube
5	8 ea.	Truss Tube Sliders
6	4 ea.	Module Mounting Rails
7	n/a	Customer Supplied Mounting Pole

<b>FXL-120 FIXED RACK HARDWARE LIST</b>	
<b>Quantity</b>	<b>Description</b>
<b>GIMBAL CAN (ALL HARDWARE ATTACHED)</b>	
2 ea.	3/4" x 2" YZP Hex Bolts
1 ea.	3/4" x 4 1/2" ZP Hex Bolt
2 ea.	3/4" ZP Flat Washers
1 ea.	3/4" ZP Lock Washer
1 ea.	3/4" ZP Hex Nut
<b>I-BEAM (SMALL LABELED BAG)</b>	
2 ea.	1/2" x 3 1/2" ZP Hex Bolts
4 ea.	1/2" ZP Flat Washers
2 ea.	1/2" ZP Nylock Nuts
<b>SEASONAL ADJUSTMENT BAR (ALL HARDWARE ATTACHED)</b>	
1 ea.	5/8" x 4 1/2" ZP Hex Bolt
1 ea.	5/8" x 2" ZP Hex Bolt
4 ea.	5/8" ZP Flat Washers
2 ea.	5/8" ZP Lock Washers
2 ea.	5/8" ZP Hex Nuts
<b>TRUSS TUBE SLIDERS (ALL HARDWARE ATTACHED)</b>	
8 ea.	3/8" x 1 1/4" ZP Hex Bolts
8 ea.	3/8" x 3/4" YZP Hex Bolts
16 ea.	3/8" ZP Flat Washers
8 ea.	3/8" ZP Nylock Nuts
8 ea.	3/8" ZP Jamb Nuts
<b>PV MODULE MOUNTING HARDWARE (QUANTITY X # OF MODULES)</b>	
4 ea.	1/4" x 5/8" Stainless Steel Bolts
4 ea.	1/4" Stainless Steel Flat Washers
4 ea.	1/4" Stainless Steel Hex Flange Lock Nut

# FXL-SERIES POLE INSTALLATION

**IMPORTANT NOTE: ZOMEWORKS CORP. ASSUMES NO LIABILITY FOR THE STRUCTURAL INTEGRITY OF THE POLE AND ITS INSTALLATION. SOIL AND WIND CONDITIONS VARY. IF THERE IS ANY DOUBT, CONSULT WITH A LOCAL STRUCTURAL ENGINEER.**

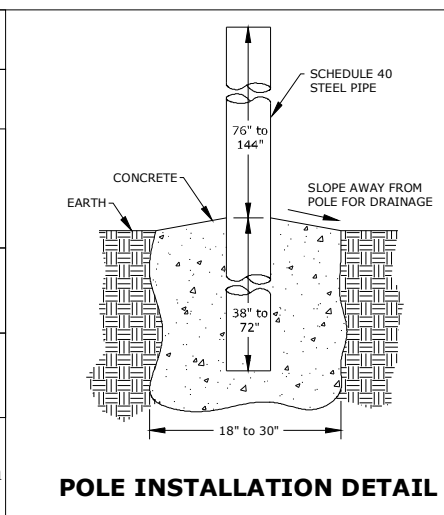
## **LOCATION CONSIDERATIONS:**

For installations in sandy or muddy areas, for tall mounting poles, or for any mounting different from the situations described in these instructions, you will need to consult a local structural engineer. Large racks can receive significant wind loads, so a strong mounting pole and foundation are very important. The site should receive the maximum possible sunlight from AM to PM, in the winter and summer. Avoid shade from buildings and trees, including shade that may occur in other seasons. The height of the pole should result in adequate ground clearance for the mounted modules.

**CAUTION – BE CAREFUL WORKING AROUND THE RACK AFTER INSTALLATION ON THE POLE. SOME OF THE STRUCTURAL MEMBERS MAY BE AT HEAD LEVEL.**

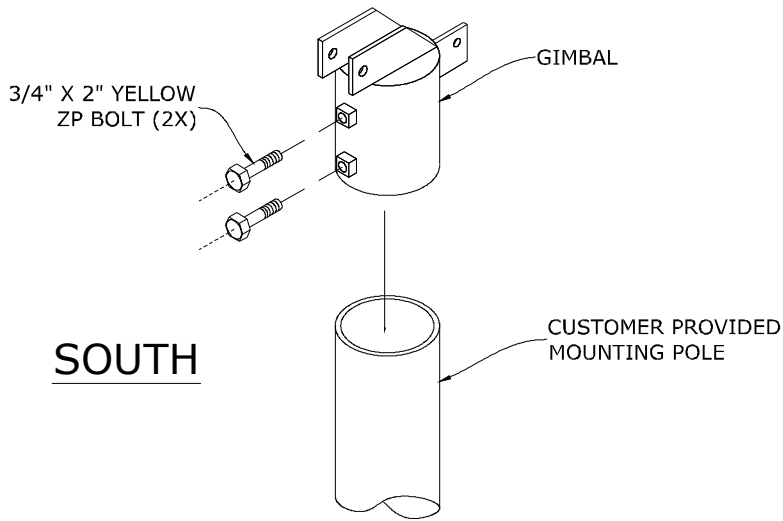
- The customer provided pole is a 6" (nominal) schedule 40 steel pipe with a 6-5/8" OD (FXL-90 & FXL-120) or a 8" (nominal) schedule 40 steel pipe with a 8-5/8" OD (FXL-168 only). Pole can be black or galvanized steel pipe.
- **Note:** Heavier schedule steel pipe schedule 80, schedule 160 can be used as long as OD is 6-5/8" or 8-5/8".
- The **MINIMUM** recommended hole depth is 1/3 the pole length, with 1/3 of the pole in the ground, and 2/3 above the ground. **Example:** 5' below grade, 10' above grade, total of a 15' pole.
- Center the pipe in the hole, and using a level, make sure pole is vertical.
- Fill the hole with concrete (3000-psi minimum strength), and check level of the pole.
- The pole may be filled with concrete for added strength (only to approximate ground level).
- Allow concrete and pole to set for a **MINIMUM** of 36 hours **BEFORE** installing the Rack.

Description	Model					
	FX3	FX4	FX6	FX90	FX120	FX168
Minimum Schedule 40 Steel Pipe	3" (3½" OD)	4" (4½" OD)	6" (6⅝" OD)	6" (6⅝" OD)	6" (6⅝" OD)	8" (8⅝" OD)
Min. Pole Height (Grade Level)	72"	72"	72"	108"	120"	144"
Min. Pole Depth (Below Grade)	36"	36"	36"	54"	60"	72"
Minimum Recommended hole diameter	12" dia., pipe set in concrete	14" dia., pipe set in concrete	20" dia., pipe set in concrete	24" dia., pipe set in concrete	24" dia., pipe set in concrete	30" dia., pipe set in concrete



**IMPORTANT NOTE: ZOMEWORKS CORP. ASSUMES NO LIABILITY FOR THE STRUCTURAL INTEGRITY OF THE POLE AND ITS INSTALLATION. SOIL AND WIND CONDITIONS VARY. IF THERE IS ANY DOUBT, CONSULT WITH A LOCAL STRUCTURAL ENGINEER.**

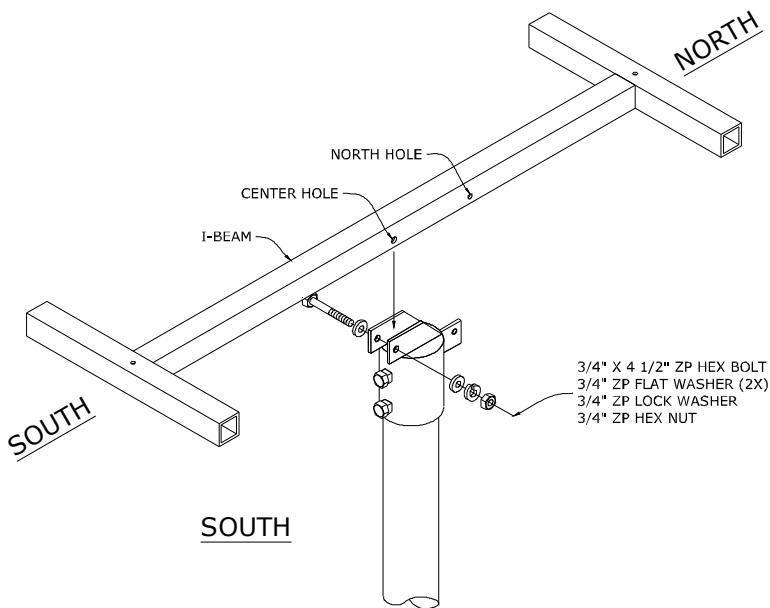
**Step 1:**  
**Attaching the Gimbal to the Mounting Pole:**



**Diagram 1**

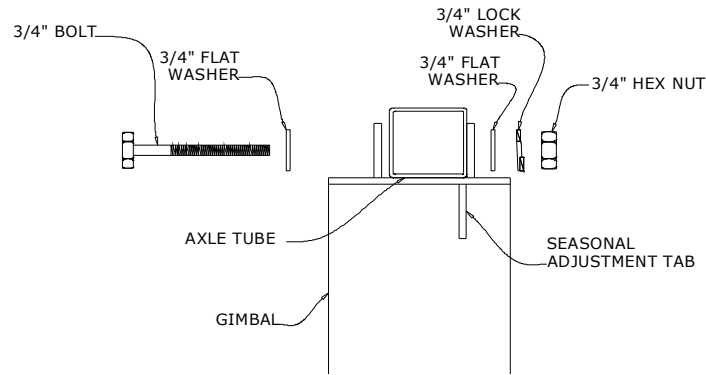
- Place Gimbal on top of Pole.
- Set Gimbal with 3/4"x 2" Yellow Zinc Bolts facing south. **See Diagram 1.**
- Tighten Bolts to secure Gimbal to the Pole. Recommended torque is 240 - 300 foot-pounds.

**Step 2:**  
**Attaching the I-Beam to the Gimbal:**



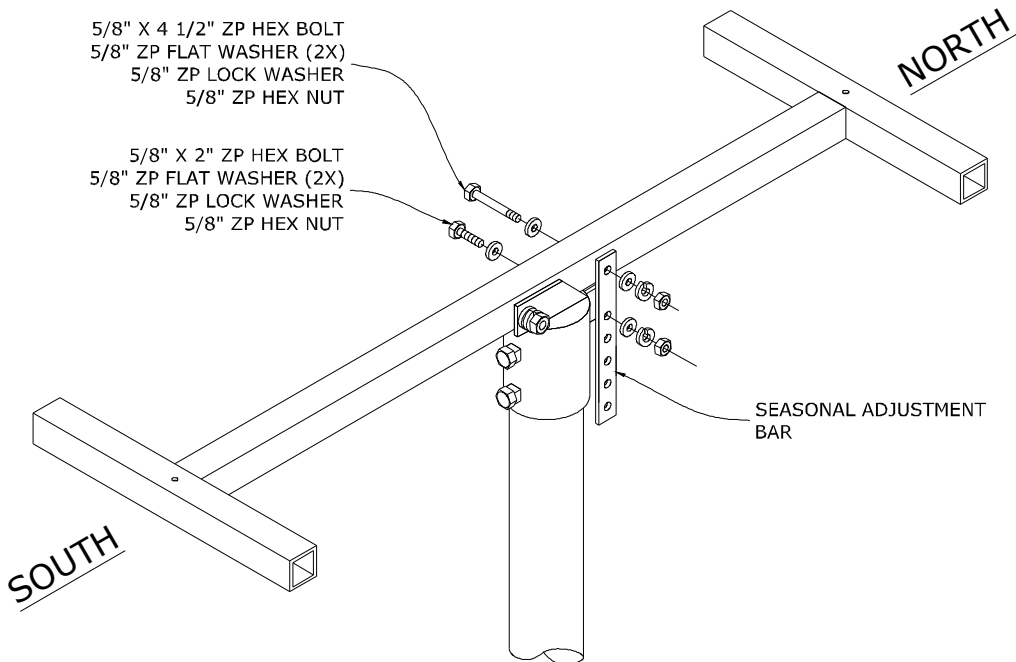
**Diagram 2**

- Remove 3/4" x 4 1/2" bolt from top of Gimbal.
- Place I-Beam atop the Gimbal between the two vertical tabs and align center bolt on I-Beam with holes on tabs see Diagram 2.
- Insert the 3/4" x 4 1/2" bolt through both tabs and I-Beam according to Diagram 2a.
- Recommended final bolt torque is 240-300 foot-pounds.



**Diagram 2a**

**Step 3:  
Installation of the Seasonal Adjustment Arm:**

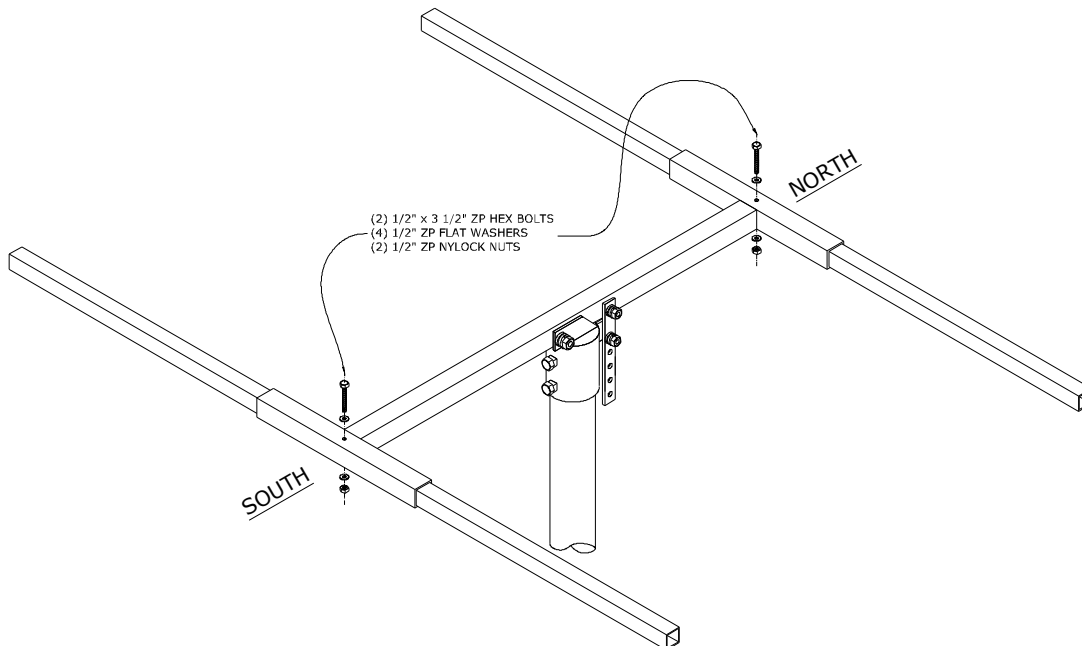


**Diagram 3**

- Level I-Beam.
- Bolt Seasonal Adjustment Arm to I-Beam through the north hole using a 5/8" x 4 1/2" Bolt, Flat Washers on both sides, Lock Washer and Hex Nut.
- Bolt Seasonal Adjustment Arm to the tab on the Gimbal using 5/8" x 2" Bolt, Flat Washers on both sides, Lock Washer and Hex Nut. **See Diagram 3.**
- Recommended bolt torque for both of these bolts is 150 foot-pounds. Maximum torque is 180 foot pounds.

#### Step 4:

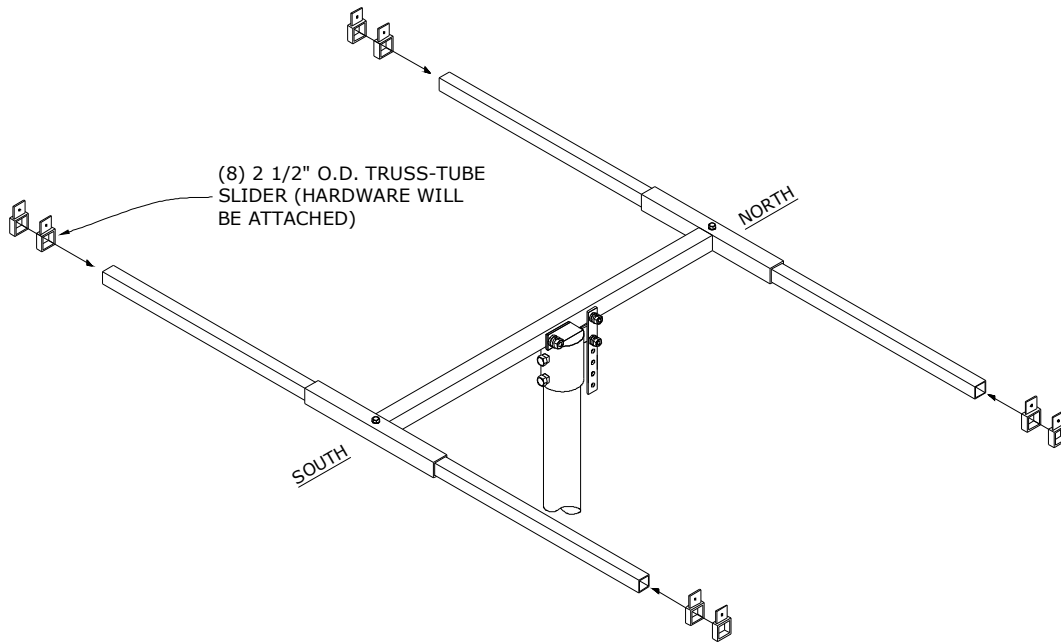
#### Attaching the Truss Tubes to the I-Beam:



**Diagram 4**

- Insert Truss-Tubes into ends of the installed I-beam and slide in until hole in I-Beam aligns with that of the Truss-Tube (you may need to tap the trusses into the I-Beam with a heavy hammer and wood block).
- Insert 1ea. – 1/2" x 3 1/2" ZP hex bolt and hardware according to Diagram 4 and tighten.

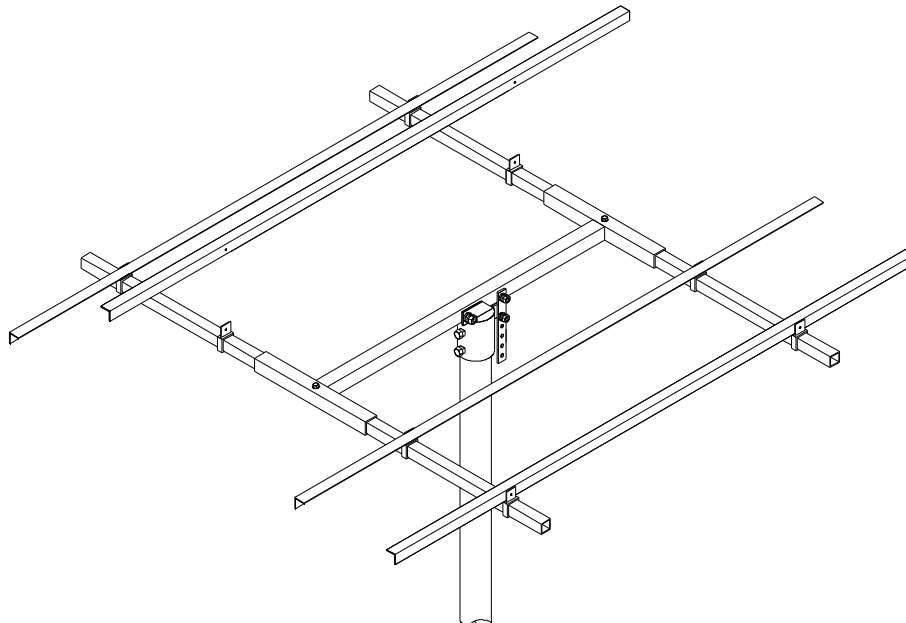
**Step 5:**  
**Installation of Truss-Tube Sliders:**



**Diagram 5**

- Remove all Truss-Tube Sliders from the Gimbal box, loosen the set bolts on each Truss-Tube Slider and insert 2 ea. on each end of the truss-tubes (see diagram 5).
- Do not tighten the set screws until the modules have been mounted.

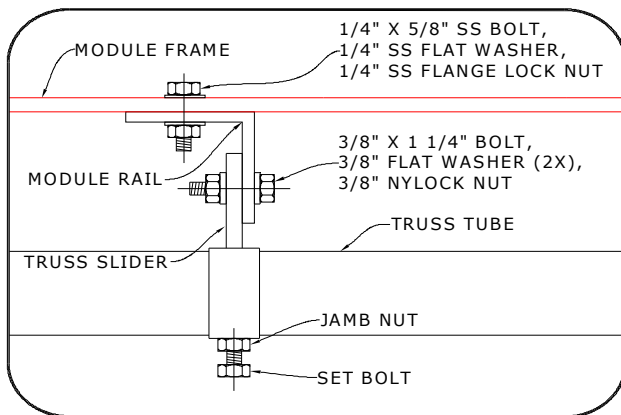
**Step 6:**  
**Module-Mounting Rail Installation:**



**Diagram 6**

- The module rails are angle iron with 2 holes on one side of the angle. These should have a center to center measurement of 62 ¾". These 2 holes will be bolted to the truss sliders using the 3/8" hardware provided (see **Diagram 7**).
- Remove the bolts attached to the vertical tabs of all the Truss-Tube Sliders and insert these bolts into the two center holes previously mentioned on the Module-Mounting Rails keeping the same order.
- The Fixed Rack with Module-Mounting Rails installed should look similar to Diagram 6 above.

**Step 7:  
Solar Module Installation:**



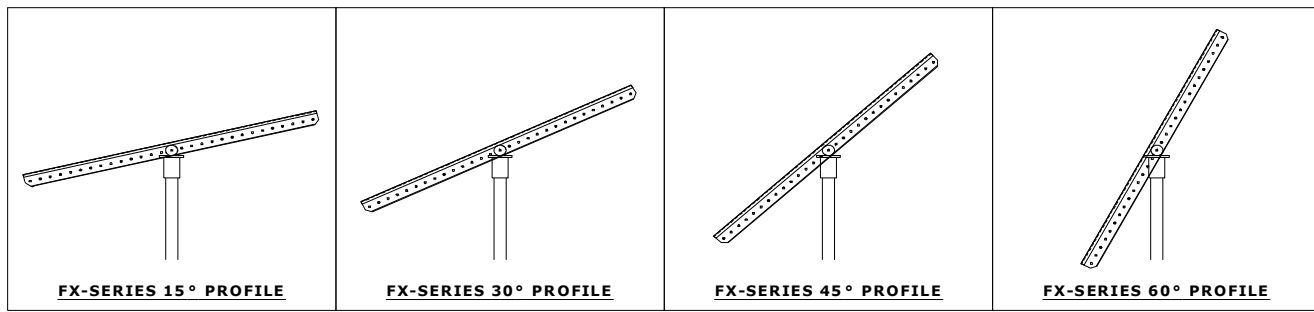
**Diagram 7**

- See attached Module Mounting Zone drawing. This drawing is a plan view of the Fixed Rack with your individual modules mounted on it.
- The Modules should be mounted according to this drawing. The Truss-Tubes have been cut to length to accommodate the modules in this orientation **ONLY**.
- Remove the module mounting hardware bag (small bag in Gimbal Box) and attach the panels according to Diagram 7 above.
- There are no spacing requirements between panels or about the center of the I-Beam; the only requirement is that the modules be center about the I-Beam to distribute the load evenly between East and West sides.
- When all modules have been mounted and centered about the center of the I-beam you may tighten the set bolts on the underside of each truss-tube slider.

## Step 8:

### Seasonal Adjustments and Final Instructions:

- For maximum solar gain, adjust the angle of your Track Rack™ at least twice a year in spring and fall. Setting the Seasonal Adjustment Arm so the Track Rack™ faces the mid-morning sun. Your settings will vary according to your location and latitude. See diagram below for guidelines.



- **GO BACK AND MAKE SURE ALL BOLTS AND SCREWS ARE TIGHTENED.**

### IMPORTANT NOTES TO REMEMBER:

1. The FXL-120 fixed rack must be assembled according to the instructions.
2. The photovoltaic modules should be centered and mounted evenly as per the instructions and provided drawings.
3. The FXL-120 fixed rack must be in a location that maintains a clear line-of-sight to the sun throughout the day, and during different seasons. Remember that the sun's position in the sky changes from season to season.
4. To maintain optimum sun exposure you may want to adjust your FXL-120 fixed rack for the winter & summer seasons. Use the seasonal adjustment arm. This will vary with your location's latitude.

### MAINTENANCE:

1. Paint touch up will be necessary to prevent rusting (Rustoleum is recommended).

# ZOMEWORKS FXL-SERIES

## Limited Warranty

Zomeworks Corporation guarantees, to the original owner, its fixed racks against defects in materials and workmanship for TEN YEARS from date of purchase. This warranty is limited to the repair or replacement of the rack in compliance with the instructions provided by Zomeworks.

Some problems can be solved with a simple on site adjustment. Please contact Zomeworks Corporation at the address and phone number below before returning your product. You must have an RMA number to return the product for warranty repair. If possible, return only the parts that are defective or damaged. Reuse your original packing material, if it's available, or call the factory for further instructions.

**IT IS THE OWNER'S RESPONSIBILITY TO CHECK FOR DAMAGED OR MISSING PARTS IMMEDIATELY UPON RECEIPT OF THE FIXED RACK.** Freight claims are time sensitive and require immediate notice. If the packaging is damaged, write this on the receipt (freight bill) and have the driver initial this. Use this information to contact your freight carrier when damage is noticed.

Upon receipt of a defective part(s), freight pre-paid, Zomeworks will determine whether the defect was caused in manufacturing. If so, the part(s) will be repaired or replaced at no charge to the customer, and will be returned freight pre-paid. If the damage is not a manufacturing defect, the factory will contact the customer before any repairs are made. Original owners should contact their dealer if an immediate replacement part(s) are needed. Individuals contacting Zomeworks Corporation desiring immediate replacement part will be required to provide Zomeworks Corporation with a valid credit card number to be charged for the replacement part(s). Zomeworks Corporation will credit the valid credit card upon receipt of the warranted returned part(s) from the individual.

This warranty does not cover rusting of the steel due to a corrosive environment (such as salt air). Standard fixed racks are made of aluminum and painted mild steel and will require maintenance. It is the owner's responsibility to maintain the paint on the fixed rack in order to protect the steel against corrosion. For corrosive environments, Zomeworks Corporation can manufacture the fixed racks with an epoxy primer.

## Limitations on Warranty

The above ten-year warranty is the only warranty and remedy provided by Zomeworks to user. Zomeworks disclaims all implied warranties of merchantability and fitness. In no event shall Zomeworks be liable for consequential or incidental losses or damages under any theory of liability, except to the extent that this limitation is found to be unenforceable under applicable state law. Some states do not allow the exclusion or limitation of incidental or consequential damages, so this exclusion may not apply to you. This warranty gives you specific legal rights, and you may also have other rights that vary from state to state.

1011 Sawmill Rd. NW, PO Box 25805, Albuquerque, NM 87125 USA  
(505) 242-5354 / (800) 279-6342 / FAX (505) 243-5187  
E-mail [zomework@zomeworks.com](mailto:zomework@zomeworks.com)