

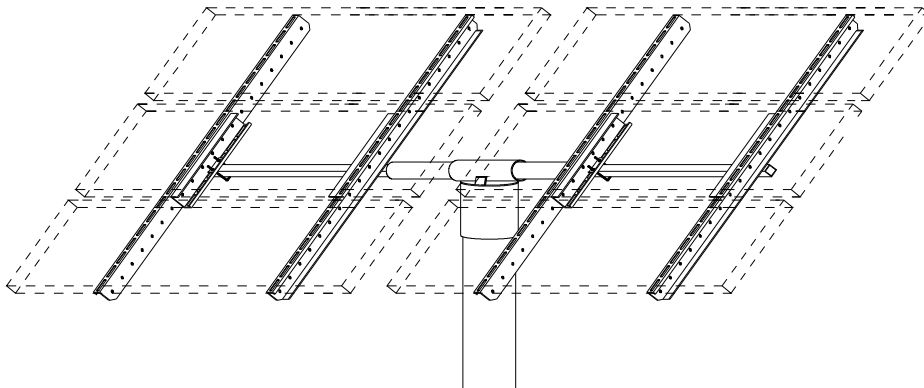
ZOMEWORKS CORPORATION

TOP OF POLE FIXED RACK SIZING CHART

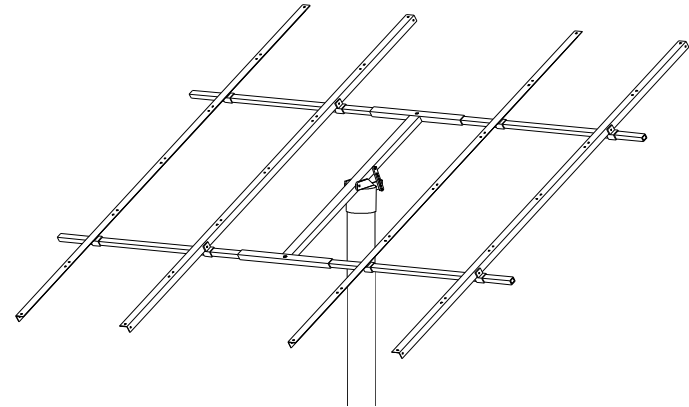
PANEL TYPE	SQ.FT/ PANEL	# OF PV Panels											
		1	2	3	4	6	8	9	10	12	14	15	16
ADVENT SOLAR													
Advent 160 / 165 / 170 / 175 / 180	14.12	FX3-32L	FX3-64L	FX4-596 or FX4-864	FX4-864	FX-90	FX-120	FX-168*	FX-168	FX-168HD	N/A	N/A	N/A
SCHOTT SOLAR													
SAPC- 165 / 170 / 175	14.00	FX3-36L	FX3-68L	FX4-968	FX4-968	FX-90	FX-120	FX-168*	FX-168	FX-168HD	N/A	N/A	N/A
ASE-250 / 260 / 270 / 280 / 290 / 300 / 310 / 320-DGF/17 & 50	26.13	FX3-52L	FX4-1052	FX-90	FX-120	FX-168	N/A	N/A	N/A	N/A	N/A	N/A	N/A
BP / SOLAREX													
BP-365/365U /	6.01	FX3-24S	FX3-44S	FX3-68S	FX3-88S	FX4-764	FX4-788	N/A	FX6-7-432	FX-90	FX-120	FX-120*	FX-120
BP-380/385/485	6.97	FX3-24S	FX3-44S	FX3-68S	FX3-88S	FX4-864	FX4-888	N/A	FX6-8-448	FX-90	FX-120	FX-120*	FX-120
BP-4160S/4175/ 5170S/SX-150S/SX- 170/175B/170B/160B	13.52	FX3-32L	FX3-64L	FX4-596 or FX4-964	FX4-964	FX6-9-384	FX-120	FX-120*	FX-168	FX-168HD	NA	N/A	N/A
BP-3115/3125 / SX-3130/3140	10.93	FX3-28L	FX3-56L	FX3-84L	FX4-956	FX6-9-336	FX-90	FX-120*	FX-120	FX-168	FX-168	FX-168*	FX-168*
BP-580U/S/H/DB/DH 585U/S/H/DB/DH SX- 75TU	6.95	FX3-24S	FX3-44S	FX3-68S	FX3-88S	FX4-864	FX4-888	N/A	FX6-8-448	FX-90	FX-120	FX-120*	FX-120
EVERGREEN													
ES- 170 / 180 / 190	16.08	FX3-38L	FX3-76L	FX4-876	FX4-876	FX-120	FX-168	FX-168*	FX-168HD	N/A	N/A	N/A	N/A
GENERAL ELECTRIC													
GEPV-065 / 070 / 072 / 085-M	6.83	FX3-24L	FX3-44L	FX3-68L	FX3-88L	FX4-768	FX4-788	FX6-10-408*	FX6-10-456*	FX-90	FX-120	FX-120*	FX-120
GEPV-170-M	15.49	FX3-40L	FX3-80L	FX4-880	FX4-880	FX-90	FX-168	FX-168*	FX-168	N/A	N/A	N/A	N/A
GEPV-185 / 200-M	15.68	FX3-40L	FX3-80L	FX4-880	FX4-880	FX-90	FX-168	FX-168*	FX-168	N/A	N/A	N/A	N/A
GRUNDFOS													
GF-43	9.33	FX3-32L	FX3-60L	FX3-88L	FX4-760	FX4-788	FX6-7-480	FX-90*	FX-90	FX-120	FX-168	FX-168*	FX-168*
GF-50	9.34	FX3-32L	FX3-60L	FX3-88L	FX4-760	FX4-788	FX6-7-480	FX-90*	FX-90	FX-120	FX-168	FX-168*	FX-168*
GTF-55	7.89	FX3-24L	FX3-52L	FX3-76L	FX4-752	FX4-776	FX6-7-400	FX-90*	FX-90	FX-120	FX-120*	FX-120*	FX-168*
GF-65C / 55 C	6.94	FX3-24L	FX3-44L	FX3-68L	FX3-88L	FX4-668	FX4-688	FX-90*	FX-90	FX-90	FX-120	FX-120*	FX-120
GF-101 / 110	11.39	FX3-28L	FX3-56L	FX3-84L	FX4-856	FX6-8-336	FX-90	FX-120*	FX-120	FX-168	FX-168	FX-168*	N/A
ISOFOTON													
I-75S	7.18	FX3-24L	FX3-44L	FX3-68L	FX3-88L	FX4-768	FX4-788	FX-90*	FX-90	FX-90	FX-120	FX-120*	FX-120
I-150S	13.79	FX3-44L	FX3-88L	FX4-888	FX4-888	FX-90	FX-120	FX-168*	FX-168*	FX-168*	N/A	N/A	N/A
I-200	17.92	FX3-44L	FX3-88L	FX4-888	FX4-888	FX-120	FX-168	FX-168*	N/A	N/A	N/A	N/A	N/A
KANEKA													
K60 / GSA-60	10.23	FX3-40L	FX3-80L	FX4-880	FX4-880	FX6-8-480	FX-90	FX-90*	FX-120*	FX-120*	FX-168**	FX-168**	FX-168**
KYOCERA													
KC-85	7.07	FX3-28S	FX3-52S	FX3-80S	FX4-652	FX4-680	FX6-6-432	FX6-6-416	FX6-6-416	FX-90	FX-120*	FX-120*	FX-120*
KC-120-1 / 125G / 130GT / 130TM	9.97	FX3-28L	FX3-52L	FX3-80L	FX4-852	FX6-8-320	FX6-8-416	FX-90*	FX-120	FX-120	FX-168	FX-168*	FX-168*
KC-158G / 167G / 170 / 175GT	13.76	FX3-40L	FX3-80L	FX4-880	FX4-880	FX-90	FX-120	FX-120*	FX-168*	FX-168*	N/A	N/A	N/A
KC-187 / 190 / 200GT	15.22	FX3-40L	FX3-80L	FX4-880	FX4-880	FX-90	FX-120	FX-168*	FX-168*	N/A	N/A	N/A	N/A

PANEL TYPE	SQ.FT/ PANEL	# OF PV Panels											
		1	2	3	4	6	8	9	10	12	14	15	16
MITSUBISHI													
PV-MF110 / 120EC3	9.9	FX3-28L	FX3-52L	FX3-80L	FX4-852	FX4-880	FX6-8-416	FX-90*	FX-120	FX-120	FX-168	FX-168*	FX-168*
PV-MF125 / 130EA2LF	10.80	FX3-32L	FX3-68L	FX3-96L	FX4-868	FX4-896	FX-90	FX-120*	FX-120	FX-168*	FX-168*	FX-168*	FX-168*HD
PV-MF155 / 160 / 165 / 170 EB3/4	13.60	FX3-32L	FX3-68L	FX3-96L	FX4-968	FX4-996	FX-90	FX-168*	FX-168	FX-168HD	N/A	N/A	N/A
PV-TE 115 / 120 / 125 / 130 MF5N	10.84	FX3-28L	FX3-56L	FX3-84L	FX4-856	FX4-884	FX-90	FX-120*	FX-120	FX-168*	FX-168*	FX-168*	FX-168*HD
PV-MF 115 / 120 / 125 / 130 TE4N													
PV-MF 170 / 175 / 180 / 185 TD4	14.88	FX3-32L	FX3-68L	FX4-968	FX4-968	FX-90	FX-120	FX-168*	FX-168	FX-168HD	N/A	N/A	N/A
PV-TD 175 / 180 / 185 / 190 MF5													
MATRIX SOLAR / PHOTOWATT													
PW6-110 / 123	10.18	FX3-28L	FX3-56L	FX3-84L	FX4-856	FX4-884	FX-90	FX-90*	FX-120	FX-120	FX-168*	FX-168*	FX-168*
PW-1250/115-125-135	10.96	FX3-32L	FX3-68L	FX4-768	FX4-768	FX6-7-400	FX-90	FX-120*	FX-120	FX-168*	FX-168*	FX-168*	N/A
PW-1650 & 1750/155-165-175	14.41	FX3-44L	FX3-88L	FX4-788	FX4-788	FX-90	FX-120	FX-168*	FX-168*	FX-168*	N/A	N/A	N/A
PWX-750/75-80-85	7.61	FX3-24L	FX3-44L	FX3-68L	FX3-92L	FX4-768	FX4-792	FX-90*	FX-90	FX-90	FX-120	FX-120*	FX-120
PW-750/75-80-85	7.41	FX3-24L	FX3-44L	FX3-68L	FX3-92L	FX4-768	FX4-792	FX-90*	FX-90	FX-90	FX-120	FX-120*	FX-120
SANYO													
HIP-180 / 186 / 190 / 195 / 200 / 205BA3	12.69	FX3-40L	FX3-76L	FX4-776	FX4-776	FX6-7-448	FX-120	FX-120*	FX-168	FX-168*	N/A	N/A	N/A
SHARP													
NE-80EJE (80 watt) / NE-80EJEA	6.94	FX3-24L	FX3-44L	FX3-68L	FX3-88L	FX4-768	FX4-888	FX-90*	FX-90	FX-90	FX-120	FX-120*	FX-120
ND-L3EJEA (123 watt)	10.68	FX3-28L	FX3-52L	FX3-80L	FX4-852	FX4-880	FX-90	FX-120*	FX-120	FX-168	FX-168	FX-168*	FX-168*
NE-K125U2 (125 watt)	10.16	FX3-32L	FX3-64L	FX3-96L	FX4-764	FX4-796	FX-90	FX-90*	FX-120	FX-168	FX-168	FX-168*	FX-168HD
ND-N2ECU (142 watt)	12.43	FX3-40L	FX3-80L	FX4-780	FX4-780	FX6-7-480	FX-120	FX-120*	FX-168	FX-168*	N/A	N/A	N/A
ND-QOE2U (160 watt) / ND-167U1F (167 watt)	14.16	FX3-40L	FX3-80L	FX4-780	FX4-780	FX-90	FX-120	FX-168*	FX-168*	FX-168*	N/A	N/A	N/A
NE-Q5E2U(165 watt) / NT-170U1 (170 watt) / NT-180U1 (180 watt) / NT-185U1 (185 watt)	14.0	FX3-32L	FX3-68L	FX4-596	FX4-868	FX-90	FX-120	FX-168*	FX-168	FX-168HD	N/A	N/A	N/A
ND-181U1F (181 watt) / ND-187U1 / ND-187U1F (187 watt)	15.85	FX3-40L	FX3-80L	FX4-880	FX4-880	FX-120	FX-168	FX-168*	FX-168*	N/A	N/A	N/A	N/A
ND-200U1F (200 watt) / ND-208U1F (208 watt)	17.55	FX3-40L	FX3-80L	FX6-9-320	FX6-9-320	FX-120	FX-168	FX-168*	FX-168*HD	N/A	N/A	N/A	N/A
SOLARWORLD													
SW130 / 140 / 150	12.3	FX3-28L	FX3-56L	FX4-584 or FX4-956	FX4-956	FX6-9-384	FX-120	FX-120*	FX-168	FX-168	FX-168HD	N/A	N/A
SW 155 / 165 / 175	14.04	FX3-32L	FX3-64L	FX4-864	FX4-864	FX-90	FX-120	FX-168*	FX-168	FX-168HD	N/A	N/A	N/A
SW 200 / 210 / 220	18.05	FX3-40L	FX3-80L	FX4-980	FX6-9-320	FX-120	FX-168	FX-168*	N/A	N/A	N/A	N/A	N/A
SUNPOWER													
SPR-90	5.9	FX3-24L	FX3-44L	FX3-68L	FX3-96L	FX4-668	FX4-696	FX-90*	FX-90	FX-90	FX-90	FX-90*	FX-120*
SPR-200/210/215/220-BLK	13.4	FX3-32L	FX3-64L	FX4-596 or FX4-1064	FX4-1064	FX6-10-384	FX-120	FX-120*	FX-168*	FX-168HD	N/A	N/A	N/A
SUNTECH													
STP 070 / 075 / 080 / 085S-12/Bb	6.53	FX3-24L	FX3-44L	FX3-68L	FX3-88L	FX4-768	FX4-788	FX6-7-448	FX6-7-448	FX-90	FX-120	FX-120*	FX-120
STP 175 / 170 / 165 / 160 / 155S-24 / 110-24Ab	13.74	FX3-32L	FX3-64L	FX4-596 or FX4-864	FX4-864	FX-90	FX-120	FX-168*	FX-168	FX-168HD	N/A	N/A	N/A

PANEL TYPE	SQ.FT/ PANEL	# OF PV Panels											
		1	2	3	4	6	8	9	10	12	14	15	16
SUNWIZE													
SW 50/ 55 / 60	5.39	FX3-24S	FX3-44S	FX3-64S	FX3-84S	FX4-864	FX4-884	FX6-8-416	FX6-8-416	FX6-8-480	FX-90	FX-90*	FX-120*
SW 50A/ 55A / 60A	5.31	FX3-24S	FX3-48S	FX3-72S	FX3-96S	FX4-772	FX4-796	FX6-7-480	FX6-7-480	FX-90	FX-90	FX-90*	FX-120*
SW85/SW90/SW95	9.01	FX3-24L	FX3-48L	FX3-72L	FX3-96L	FX6-8-320	FX6-8-384	FX-90*	FX-90	FX-120	FX-168	FX-168*	FX-168*
SW100/SW115/SW120	10.04	FX3-28L	FX3-52L	FX3-80L	FX4-952	FX4-980	FX-90	FX-90*	FX-120	FX-120	FX-168	FX-168*	FX-168*
SW155-L/165-L	15.62	FX3-36L	FX3-72L	FX4-972	FX4-972	FX-90	FX-168	FX-168*	FX-168	N/A	N/A	N/A	N/A
UNI-SOLAR													
US-32	5.64	FX3-24L	FX3-32L	FX3-48L	FX3-64L	FX3-96L	FX4-864	FX4-880	FX4-880	FX6-8-384	FX6-8-480	FX-90*	FX-90*
US-42	7.42	FX3-32S	FX3-60S	FX3-92S	FX4-560	FX4-592	FX6-5-480	FX-90*	FX-90	FX-90	FX-120	FX-120*	FX-120*
US-64	10.91	FX3-32L	FX3-60L	FX3-92L	FX4-860	FX6-8-368	FX-90	FX-120*	FX-168	FX-168*	FX-168*	FX-168*	FX-168*HD



FX3-4-6-Series Top of Pole



FX90-120-168-Series Top of Pole

How to determine which rack to order: Scroll down the column on the left to find the photovoltaic make and model you will use.

Find the number of panels you plan to mount on the fixed rack in one of the vertical columns to the right.

Find the box at the intersection of the "PANEL TYPE" with the PV panel you will use and "# of PV PANELS" with the number of modules you plan to place on your rack. The "Model Number" (FX 3 - xx, FX4-xxx, FX6-x-xxx, FX-xx) of the rack to purchase will be in the box.

Order Examples: To order a rack for 3 Kyocera KC-130's, the model number is "FX 3 - 80 L". To order a rack for 14 Kyocera KC-85's the model number is "FX 120" and will require an extra rail set.

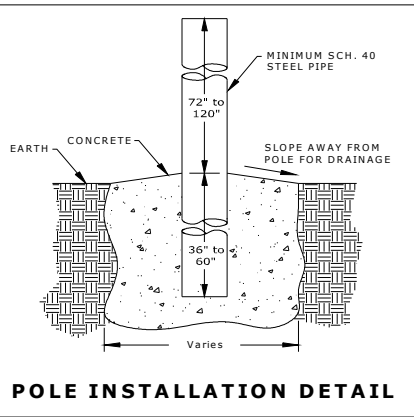
For FX-90, 120, & 168 Top of Pole Mount Fixed Racks : Add the following to the cost of a fixed rack -
 *Extra Rail Set Required - \$260 ** 2 Extra Rail Sets Required - \$520 *** 3 Extra Rail Sets Required - \$780
 Fixed racks with Heavy Duty Rails are available for \$520 per set (2 rails)

Shipping: All FX 3 & 4, & most FX-6 Series Fixed Racks may be shipped by UPS.

FX-90, 120, and 168 racks must be shipped by a freight carrier.

Larger Fixed Racks: Our chart only shows up to 16 panels mounted because that handles the majority of our racks. Larger racks that hold approximately 168 sq. ft. of solar modules are available.

Description	Model					
	FX3	FX4	FX6	FX90	FX120	FX168
Minimum Schedule 40 Steel Pipe	3" (3½" OD)	4" (4½" OD)	6" (6⅝" OD)	6" (6⅝" OD)	6" (6⅝" OD)	8" (8⅝" OD)
Min. Pole Height (Grade Level)	72"	72"	72"	108"	120"	120"
Min. Pole Depth (Below Grade)	36"	36"	36"	54"	60"	60"
Minimum Recommended hole diameter	12" dia., Pipe in concrete	14" dia., Pipe in concrete	20" dia., Pipe in concrete	24" dia., Pipe in concrete	24" dia., Pipe in concrete	24" dia., Pipe in concrete



Recommendations for Installation: It is the installer's responsibility to consider the soil conditions and location, when setting the pipe. A general rule of thumb for pole installation is 2/3 pole length above ground 1/3 pole length in the ground in a hole at least three times the diameter of the pole filled with concrete.

FX6 Top of Pole Racks (List Price)	
FX 6 - 4 - 416	\$674.00
FX 6 - 5 - 480	\$844.00
FX 6 - 6 - 400	\$714.00
FX 6 - 6 - 416	\$762.00
FX 6 - 6 - 432	\$831.00
FX 6 - 6 - 448	\$769.00
FX 6 - 6 - 480	\$816.00
FX 6 - 6 - 528*	\$884.00
FX 6 - 6 - 624*	\$919.00
FX 6 - 7 - 320	\$592.00
FX 6 - 7 - 352	\$647.00
FX 6 - 7 - 368	\$681.00
FX 6 - 7 - 384	\$714.00
FX 6 - 7 - 400	\$748.00
FX 6 - 7 - 416	\$789.00
FX 6 - 7 - 432	\$831.00
FX 6 - 7 - 448	\$850.00
FX 6 - 7 - 480	\$844.00
FX 6 - 7 - 608*	\$878.00
FX 6 - 8 - 320	\$592.00
FX 6 - 8 - 336	\$684.00
FX 6 - 8 - 368	\$647.00
FX 6 - 8 - 384	\$674.00
FX 6 - 8 - 416	\$782.00
FX 6 - 8 - 448*	\$932.00
FX 6 - 8 - 480	\$864.00
FX 6 - 8 - 528*	\$966.00
FX 6 - 8 - 408*	\$990.00
FX 6 - 9 - 320	\$633.00
FX 6 - 9 - 336	\$684.00
FX 6 - 9 - 368	\$751.00
FX 6 - 9 - 384	\$714.00
FX 6 - 10 - 408*	\$990.00
FX 6 - 10 - 456*	\$1,012.00
FX 6 - 10 - 528*	\$1,063.00

FX4 Top of Pole Racks	
Single Rail Sets	
FX 4 - 584	\$409.00
FX4 - 596	\$449.00
Dual Rail Sets	
FX 4 - 560	\$463.00
FX 4 - 580	\$497.00
FX 4 - 588	\$545.00
FX 4 - 592	\$545.00
FX 4 - 660	\$463.00
FX 4 - 664	\$469.00
FX 4 - 680	\$517.00
FX 4 - 684	\$530.00
FX 4 - 688	\$545.00
FX 4 - 752	\$449.00
FX 4 - 756	\$463.00
FX 4 - 764	\$469.00
FX 4 - 768	\$476.00
FX 4 - 772	\$476.00
FX 4 - 776	\$497.00
FX 4 - 780	\$517.00
FX 4 - 784	\$530.00
FX 4 - 788	\$545.00
FX 4 - 848	\$436.00
FX 4 - 852	\$449.00
FX 4 - 860	\$463.00
FX 4 - 864	\$469.00
FX 4 - 868	\$476.00
FX 4 - 880	\$517.00
FX 4 - 956	\$469.00
FX 4 - 960	\$469.00
FX 4 - 964	\$469.00
FX 4 - 1052	\$449.00

FX 3 Top of Pole Racks	
FX 3 - 24	\$229.00
FX 3 - 28	\$229.00
FX 3 - 32	\$229.00
FX3 - 36	\$238.00
FX 3 - 40	\$238.00
FX 3 - 44	\$238.00
FX 3 - 48	\$254.00
FX 3 - 52	\$254.00
FX 3 - 56	\$254.00
FX 3 - 60	\$264.00
FX 3 - 64	\$264.00
FX 3 - 68	\$264.00
FX 3 - 72	\$294.00
FX 3 - 76	\$294.00
FX 3 - 80	\$294.00
FX 3 - 84	\$310.00
FX 3 - 88	\$310.00
FX 3 - 92	\$333.00
FX 3 - 96	\$333.00

FX-Series Top of Pole Racks	
FX 90	\$1,025.00
FX 120	\$1,104.00
FX 168	\$1,363.00
FX 168HD	\$1,882.00

* indicates extra rail set (Add \$260 to List Price)
 ** indicates extra rail set (Add \$520 to List Price)
 *** indicates extra rail set (Add \$780 to List Price)
 HD- Heavy Duty Mounting Rail Model
 (List Price \$520 for two HD mounting rails)

* indicates extra rail set (included in FX6 List Price)

Roof / Ground Mounts	MODEL #	UGM 24	UGM 30	UGM 36	UGM 42	UGM 48	UGM 54	UGM 60	UGM 66	UGM 72	UGM 78	UGM 84	UGM 90	UGM 96	UGM 102	UGM 108	UGM 114	UGM 120	
		RETAIL PRICE	\$142	\$155	\$171	\$186	\$205	\$217	\$239	\$261	\$283	\$297	\$329	\$372	\$385	\$421	\$463	\$472	\$482
ADVENT SOLAR																			
Advent 160 / 165 / 170 / 175 / 180		-	-	1	-	-	-	-	2	-	-	-	-	3	-	-	-	-	
ASE / RWE SCHOTT																			
ASE-165		-	-	1	-	-	-	-	2	-	-	-	-	-	3	-	-	-	
ASE-300		-	-	-	-	-	1	-	-	-	-	-	-	-	-	2	-	-	
BP / SOLAREX																			
BP-340/350/365/485/580/585		1	-	-	-	2	-	-	-	3	-	-	4	-	-	-	5	-	
BP-2140S/2150S/3150/3160S/4160S/5170S/ SX150S/SX-170		-	-	1	-	-	-	-	2	-	-	-	-	-	3	-	-	-	
BP-3115/3125		-	1	-	-	-	-	2	-	-	-	3	-	-	-	-	4	-	
BP-MSX-60/64		1	-	-	2	-	-	-	3	-	-	4	-	-	5	-	-	6	
BPSX-50		1	-	-	-	2	-	-	3	-	-	-	4	-	-	5	-	-	
BPSX-75TU		1	-	-	-	2	-	-	-	3	-	-	4	-	-	-	5	-	
BPSX-270/275/285/380/385		1	-	-	-	2	-	-	-	3	-	-	4	-	-	-	5	-	
VLX-53/56		1	-	-	-	2	-	-	3	-	-	-	4	-	-	5	-	-	
EVERGREEN																			
EC-170 / 180 / 190		-	-	-	1	-	-	-	-	-	2	-	-	-	-	-	4	-	
GENERAL ELECTRIC																			
GEPV-065 / -070 / -072 / 085-M		1	-	-	-	2	-	-	3	-	-	-	4	-	-	-	-	5	
GEPV-165 / 170 / 173 / 185 / 200-M		-	-	-	1	-	-	-	-	-	2	-	-	-	-	-	-	3	
GRUNDFOS																			
GF-43/50		-	1	-	-	-	-	2	-	-	-	-	3	-	-	-	4	-	
GF-65C		1	-	-	-	2	-	-	-	3	-	-	4	-	-	-	5	-	
GTF-55		1	-	-	-	-	2	-	-	-	3	-	-	-	4	-	-	5	
GTF-101 / 110		-	1	-	-	-	2	-	-	-	-	3	-	-	4	-	-	-	
ISOFOTON																			
I-75		1	-	-	2	-	-	-	3	-	-	-	4	-	-	5	-	-	
I-150S / 200		-	-	-	1	-	-	-	-	-	-	2	-	-	-	-	-	-	
KANEKA																			
K60 / GSA -60		-	-	-	1	-	-	-	-	-	-	2	-	-	-	-	-	3	
KYOCERA																			
KC-50/60/70/80/120/125/ 130GT / 130TM		-	1	-	-	-	-	2	-	-	-	3	-	-	-	4	-	-	
KC-158/167/170-GT/175GT		-	-	-	-	1	-	-	-	-	-	2	-	-	-	-	-	3	
KC-187/190/200GT		-	-	-	-	-	-	-	-	-	-	-	-	-	-	-	-	-	
EST. SHIPPING WT. - LBS		8	9	10	12	13	15	16	17	18	20	22	29	31	33	35	38	40	

Roof / Ground Mounts	MODEL #	UGM 24	UGM 30	UGM 36	UGM 42	UGM 48	UGM 54	UGM 60	UGM 66	UGM 72	UGM 78	UGM 84	UGM 90	UGM 96	UGM 102	UGM 108	UGM 114	UGM 120	
RETAIL PRICE		\$142	\$155	\$171	\$186	\$205	\$217	\$239	\$261	\$283	\$297	\$329	\$372	\$385	\$421	\$463	\$472	\$482	
MITSUBISHI																			
PV-MF110EC3/120EC3		-	1	-	-	-	2	-	-	-	3	-	-	-	-	4	-	-	
PV-MF125 / 130 EA2LF		-	-	1	-	-	-	-	2	-	-	-	-	3	-	-	-	-	
PV-MF155 / 160 / 165 / 170 EB3/4		-	-	1	-	-	-	-	2	-	-	-	-	3	-	-	-	-	
PV-TE 115 / 120 / 125 / 130 MF5N	PV-	-	1	-	-	-	2	-	-	-	-	3	-	-	4	-	-	-	
PV-MF 115 / 120 / 125 / 130 TE4N		-	1	-	-	-	2	-	-	-	-	3	-	-	4	-	-	-	
PV-MF 170 / 175 / 180 / 185 TD4	PV-	-	-	1	-	-	-	-	2	-	-	-	-	-	3	-	-	-	
TD 175 / 180 / 185 / 190 MF5		-	-	1	-	-	-	-	2	-	-	-	-	-	3	-	-	-	
PHOTOWATT / MATRIX																			
PW6-110 / 123		-	1	-	-	-	-	2	-	-	-	3	-	-	-	-	4	-	
PW-1250 / 115 - 125 - 135		-	-	-	1	-	-	-	-	2	-	-	-	-	3	-	-	-	
PW-1650/1750/TE1700 / 155 - 165 - 175		-	-	-	-	1	-	-	-	-	-	-	2	-	-	-	-	-	
PW & PWX-750 / 75 - 80 - 85		-	1	-	-	2	-	-	-	3	-	-	-	-	4	-	-	5	
SANYO																			
SANYO-55/62.5/63 (clips not provided by ZW)		1	-	-	-	2	-	-	3	-	-	4	-	-	-	5	-	6	
SANYO-167/180/186/190/195/200/205BA3 (clips not provided by ZW)		-	-	-	1	-	-	-	-	-	2	-	-	-	-	-	3	-	
SHARP																			
SHARP-80 (NE-80EJEA)		1	-	-	-	2	-	-	-	3	-	-	4	-	-	-	5	-	
SHARP-123 (ND-L3EJEA)		-	1	-	-	-	2	-	-	-	-	3	-	-	-	4	-	-	
SHARP-125 K125U2		-	-	1	-	-	-	-	2	-	-	-	-	-	3	-	-	-	
SHARP-140 (ND-NOECU) / 142 (ND-N2ECU) / 160 (ND- QOE2U) / 162 (ND-162U1) / 167 (ND-167U1F) & (ND- 167U3A) / 181 (ND-181U1F) / 187 (ND-187U1F)		-	-	-	1	-	-	-	-	-	-	2	-	-	-	-	-	3	
SHARP-181 (ND181U1F) / 187 (ND-187U1F)		-	-	1	-	-	-	-	-	2	-	-	-	-	3	-	-	-	
SHARP 200 (ND-200U1F) / 208 (ND-208U1F)		-	-	-	1	-	-	-	-	-	-	2	-	-	-	-	-	3	
SOLARWORLD																			
SW 130 / 140 / 150		-	1	-	-	-	2	-	-	-	-	3	-	-	-	4	-	-	
SW 155 / 165 / 175		-	-	1	-	-	-	-	2	-	-	-	-	-	3	-	-	-	
SW 200 / 210 / 220		-	-	-	1	-	-	-	-	-	-	2	-	-	-	-	-	3	
SUNPOWER																			
SPR-90		1	-	-	2	-	-	-	3	-	-	-	4	-	-	5	-	-	
SPR-200 / 210 / 220		-	-	1	-	-	-	-	2	-	-	-	-	3	-	-	-	-	
SUNTECH																			
STP 070 / 075 / 080 / 085S-12/Bb		1	-	-	-	2	-	-	-	3	-	-	4	-	-	-	5	-	
STP 175 / 170 / 165 / 160 / 155S-24 / 110-24Ab		-	-	1	-	-	-	-	2	-	-	-	-	3	-	-	-	-	
EST. SHIPPING WT. - LBS		8	9	10	12	13	15	16	17	18	20	22	29	31	33	35	38	40	

Roof / Ground Mounts	MODEL #	UGM 24	UGM 30	UGM 36	UGM 42	UGM 48	UGM 54	UGM 60	UGM 66	UGM 72	UGM 78	UGM 84	UGM 90	UGM 96	UGM 102	UGM 108	UGM 114	UGM 120	
	RETAIL PRICE		\$142	\$155	\$171	\$186	\$205	\$217	\$239	\$261	\$283	\$297	\$329	\$372	\$385	\$421	\$463	\$472	\$482
SUNWIZE																			
SW-50 / 55 / 60		1	-	-	2	-	-	-	3	-	-	4	-	-	5	-	-	4	
SW-50A / 55A / 60A / 85 / 90 / 95		-	1	-	-	-	2	-	-	-	3	-	-	-	4	-	-	5	
SW-115/120		-	1	-	-	-	-	2	-	-	-	3	-	-	-	4	-	-	
SW-155L/165L		-	-	1	-	-	-	-	-	2	-	-	-	-	-	3	-	-	
UNISOLAR																			
US-32		1	-	2	-	-	3	-	4	-	-	5	-	6	-	-	7	-	
US-42		-	-	1	-	-	-	-	2	-	-	-	-	3	-	-	-	4	
US-64		-	-	1	-	-	-	-	2	-	-	-	-	3	-	-	-	4	
EST. SHIPPING WT. - LBS		8	9	10	12	13	15	16	17	18	20	22	29	31	33	35	38	40	

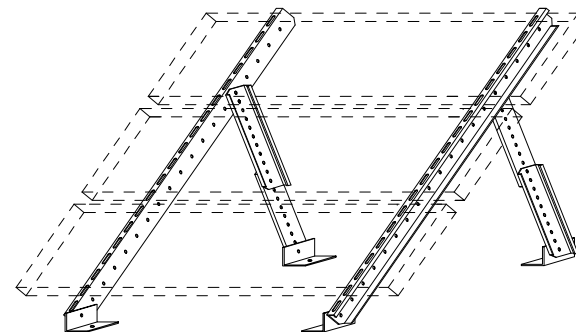
How To determine which rack to order: Scroll down the column on the left to find the photovoltaic make and module you will use. Follow the row to the right until you find the box with the number of modules you plan to place on your rack. Follow the column up to the "Model Number" (UGM***) - *** indicates rail length in inches.

Example: To order a rack for 3 Kyocera KC-120's the model number is "UGM84".

Shipping: All UGM Racks can be shipped by UPS.

Installation: All UGM Fixed Racks come with aluminum angle "feet". The hardware for attaching the feet to the rack is included. For mounting the UGM Fixed Rack to a roof or on the ground, 3/8" bolts or lag screws are required.

These are not included with the rack. It is the installer's responsibility to secure the rack to roof joists or to a pad or other base on the ground.



6/22/2007

Low Profile Roof / Ground Mounts	MODEL #	UGMLP 72	UGMLP 84	UGMLP 96	UGMLP 108	UGMLP 120	UGMLP 132	UGMLP 144	UGMLP 156	UGMLP 168	UGMLP 180	UGMLP 192	UGMLP 204	UGMLP 216	
		RETAIL PRICE	\$283	\$294	\$308	\$319	\$330	\$443	\$454	\$465	\$481	\$494	\$586	\$598	\$609
ADVENT SOLAR		2 Legs Per Rack					3 Legs Per Rack					4 Legs Per Rack			
Advent 160 / 165 / 170 / 175 / 180		2*	-	3*	-	4*	-	-	5*	-	6*	-	-	7*	
ASE / RWE SCHOTT															
ASE-165		2*	-	-	3*	-	4*	-	-	5*	-	-	6*	-	
ASE-300		-	-	-	2*	-	-	-	3*	-	-	-	4*	-	
BP / SOLAREX															
BP-340/350/365/485/580/585		3	-	4	-	5	6	-	7	-	8	-	9	-	
BP-2140S/2150S/3150/3160S/4160S/5170S/		2*	-	3*	-	-	4*	-	-	5*	-	6*	-	-	
BP-3115/25		2*	3*	-	4*	-	-	5*	-	6*	-	7*	-	8*	
BPMSX-60/64		3	4	-	5	6	-	7	-	8	9	-	10	-	
BPSX-50		3	4	-	5	6	-	7	-	8	9	-	10	-	
BPSX-75TU		3	-	4	-	5	6	-	7	-	8	-	9	-	
BPSX-110/120		1*	2*	-	-	3*	-	-	-	4*	-	-	5*	-	
BPSX-270/275/285/380/385		3	-	4	5	-	6	-	7	-	8	9	-	10	
VLX-53/56		3	4	-	5	6	-	7	-	8	9	-	10	-	
EVERGREEN															
EC-170 / 180 / 190		1*	2*	-	-	3*	-	-	4*	-	-	5*	-	-	
GENERAL ELECTRIC															
GEPV-065 / -070 / -072 / 085-M		3	-	4	5	-	6	-	7	8	-	9	-	-	
GEPV-165 / 170 / 173 / 185 / 200-M		1*	2*	-	-	3*	-	-	-	4*	-	-	5*	-	
GRUNDFOS															
GF-65C		3	-	4	5	-	6	-	7	-	8	9	-	10	
GTF-55		2	3	-	4	-	5	-	6	-	7	-	8	-	
GTF-101 / 110		2*	3*	-	4*	-	-	5*	-	6*	-	7*	-	8*	
ISOFOTON															
I-75		3	-	4	-	5	6	-	7	-	8	-	9	-	
I-150S		1	2	-	-	-	3	-	-	4	-	-	-	5	
I-200		1*	2*	-	-	-	3*	-	-	4*	-	-	-	5*	
KANEKA															
K60 / GSA -60		1	2	-	-	3	-	-	4	-	-	5	-	-	
EST. SHIPPING WT. - LBS.		20	22	24	26	36	38	40	48	50	53	55	62	65	

Prices and specifications are subject to change

Low Profile Roof / Ground Mounts	MODEL #	UGMLP 72	UGMLP 84	UGMLP 96	UGMLP 108	UGMLP 120	UGMLP 132	UGMLP 144	UGMLP 156	UGMLP 168	UGMLP 180	UGMLP 192	UGMLP 204	UGMLP 216
RETAIL PRICE		\$283	\$294	\$308	\$319	\$330	\$443	\$454	\$465	\$481	\$494	\$586	\$598	\$609
KYOCERA		2 Legs Per Rack					3 Legs Per Rack					4 Legs Per Rack		
KC-50/60/70/80/85		2	3	-	4	-	5	-	6	-	-	7	-	8
KC-120/125/ 130GT / 130TM		2*	3*	-	4*	-	5*	-	6*	-	-	7*	-	8*
KC-158/167/170/ 175GT/187/190/200GT		1*	2*	-	-	3*	-	-	-	4*	-	-	5*	-
mitsubishi														
PV-MF110EC3/120EC3		2*	3*	-	4*	-	5*	-	6*	-	7*	-	8*	-
PV-MF125 / 130 EA2LF		2	-	3	-	-	4	-	-	5	-	6	-	-
PV-MF155 / 160 / 165 / 170 EB3/4														
PV-TE 115 / 120 / 125 / 130 MF5N		PV-MF		2*	3*	-	4*	-	-	5*	-	6*	-	7*
115 / 120 / 125 / 130 TE4N														
PV-MF 170 / 175 / 180 / 185 TD4		PV-TD		2*	-	3*	-	-	4*	-	-	5*	-	6*
175 / 180 / 185 / 190 MF5														
PHOTOWATT / MATRIX														
PW6-110 / 123		2	3	-	4	-	-	5	-	6	-	7	-	8
PW-1250 / 115 - 125 - 135		2	-	-	3	-	4	-	-	5	-	-	6	-
PW-1650/1750/TE1700 / 155 - 165 - 175		1	-	2	-	-	3	-	-	-	4	-	-	5
PW & PWX-750 / 75 - 80 - 85		3	-	4	-	5	-	6	-	7	8	-	9	-
SANYO														
SANYO-167/180/186/190/195/200 (clips not provided by ZW)		1	2	-	-	3	-	-	4	-	-	5	-	-
SHARP														
SHARP-80 (NE-80EJEA)		3	-	4	5	-	6	-	7	-	8	9	-	10
SHARP-123 (ND-L3EJEA)		2*	3*	-	4*	-	5*	-	-	6*	-	7*	-	8*
SHARP-125 K125U2		2	-	3	-	-	4	-	-	5	-	6	-	-
SHARP-140 (ND-NOECU) / 142 (ND-N2ECU) / 160 (ND-QOE2U) / 162 (ND-162U1) / 167 (ND-167U1F) & (ND-167U3A) / 181 (ND-181U1F) / 187 (ND-187U1F)		1	2	-	-	3	-	-	-	4	-	-	5	-
SHARP-181 (ND181U1F) / 187 (ND-187U1F)		1*	2*	-	-	3*	-	-	-	4*	-	-	5*	-
SHARP 200 (ND-200U1F) / 208 (ND-208U1F)		1*	2*	-	-	3*	-	-	-	4*	-	-	5*	-
SOLARWORLD														
SW 130 / 140 / 150		2*	3*	-	4*	-	5*	-	6*	-	-	7*	-	-
SW 155 / 165 / 175		2*	-	3*	-	-	4*	-	-	5*	-	6*	-	-
SW 200 / 210 / 220		1*	2*	-	-	3*	-	-	-	4*	-	-	5*	-
SUNPOWER														
SPR-90		3	-	4	5	-	6	-	7	-	8	9	-	10
SPR-200 / 210 / 220		2*	-	3*	-	-	4*	-	-	5*	-	6*	-	-
EST. SHIPPING WT. - LBS.		20	22	24	26	36	38	40	48	50	53	55	62	65

Prices and specifications are subject to change

Low Profile Roof / Ground Mounts	MODEL #	UGMLP 72	UGMLP 84	UGMLP 96	UGMLP 108	UGMLP 120	UGMLP 132	UGMLP 144	UGMLP 156	UGMLP 168	UGMLP 180	UGMLP 192	UGMLP 204	UGMLP 216
		RETAIL PRICE		\$283	\$294	\$308	\$319	\$330	\$443	\$454	\$465	\$481	\$494	\$586
SUNTECH		2 Legs Per Rack					3 Legs Per Rack					4 Legs Per Rack		
STP 070 / 075 / 080 / 085S-12/Bb		3	4	-	5	-	6	7	-	8	-	9	10	-
STP 175 / 170 / 165 / 160 / 155S-24 / 110-24Ab		2*	-	-	3*	-	4*	-	-	5*	-	6*	-	-
SUNWIZE														
SW-50 / 55 / 60		3	4	-	5	-	6	7	-	8	-	9	10	-
SW-50A / 55A / 60A / 85 / 90 / 95		3	-	4	-	5	-	6	-	7	-	8	-	9
SW-115/120		2	3	-	4	-	5	-	6	-	-	7	-	8
SW-155L/165L		2*	-	-	3*	-	-	4*	-	-	5*	-	-	6*
UNISOLAR														
US-32		4	5	6	-	7	8	9	-	10	11	12	-	13
US-42		2	-	3	-	4	-	-	5	-	6	-	7	-
US-64		2	-	3	-	4	-	-	5	-	6	-	-	7
EST. SHIPPING WT. - LBS.		20	22	24	26	36	38	40	48	50	53	55	62	65

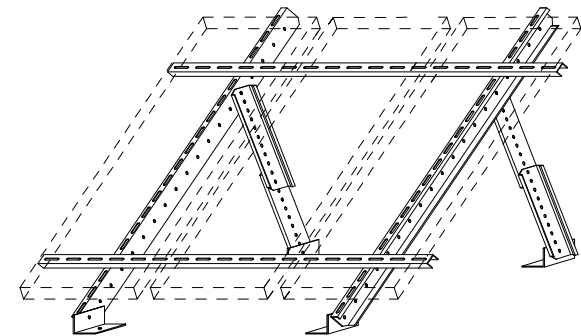
How to determine which rack to order: Scroll down the column to the left to find the photovoltaic make and model you will use. Follow the row to the right until you find the box with the number of modules you plan to place on your rack. Follow the column up to the "Model Number" (UGMLP ***) *** indicates rail length in inches.

Example: To order a rack for 3 Kyocera KC-120's the model number is "UGMLP 84" 5 ft. Vertical Rail and Leg Assembly Required-2 leg assemblies required x \$20 each - add \$40 to retail price.

Shipping: Some UGMLP Fixed Racks can be shipped by UPS. UGMLP 196 racks and larger must be shipped by a common carrier.

For mounting the UGMLP Fixed Rack to a roof or on the ground, 3/8" bolts or lag screws are required. These are not included with the rack. It is the installer's responsibility to secure the rack to roof joists or to a pad or other base on the ground.

Installation: All UGMLP Fixed Racks come with aluminum angle "feet". The hardware for attaching the feet to the rack is included.



6/22/2007