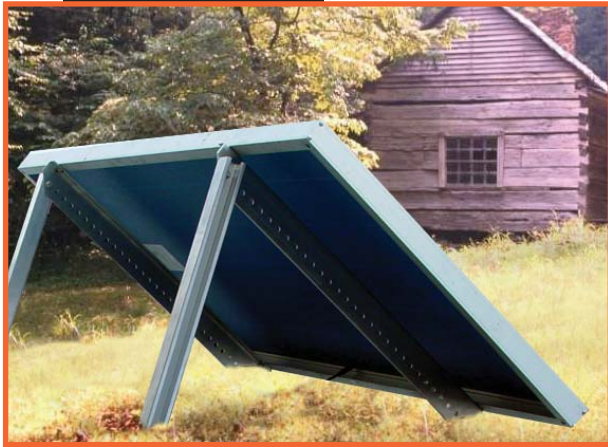




THE STANDARD IN PV MOUNTING STRUCTURES™



Ground/Roof, tilt legs

SPECIALTY RACKS

MASTER PRICE LIST

with SIZING CHART

All racks consist of aluminum structural components and stainless steel module mounting hardware. Fasteners required to secure the racks themselves vary widely and are not included.

For larger ground /roof installations, see our SolarMount® product line.

Price List

Part number	Mount Type	Rail length (in)	Module bolt sets included	Shipping		List price
				wt. (lbs)	dimensions (in)	
Ground/Roof Mounts						
990001	Ground/roof, flush	20	1	6	21 x 4 x 3	\$ 54.00
990002	Ground/roof, fixed tilt legs	20	1	6	21 x 4 x 3	84.00
990003	Ground/roof, flush	24	1	6	24 x 4 x 3	59.00
990004	Ground/roof, fixed tilt legs	24	1	6	24 x 4 x 3	92.00
990005	Ground/roof, flush	28	1	7	28 x 4 x 3	64.00
990006	Ground/roof, fixed tilt legs	28	1	7	28 x 4 x 3	99.00
990007	Ground/roof, flush	32	1	7	32 x 4 x 3	69.00
990008	Ground/roof, fixed tilt legs	32	1	7	32 x 4 x 3	107.00
990026	Ground/roof, flush	40	1	8	40 x 4 x 3	74.00
990027	Ground/roof, fixed tilt legs	40	1	8	40 x 4 x 3	115.00
990028	Ground/roof, flush	44	1	8	44 x 4 x 3	79.00
990029	Ground/roof, fixed tilt legs	44	1	8	44 x 4 x 3	123.00
990030	Ground/roof, flush	16	1	5	17 x 4 x 3	49.00
990031	Ground/roof, fixed tilt legs	16	1	5	17 x 4 x 3	76.00
RV Mounts						
990010	RV rack w/ folding tilt legs	16	1	3	17 x 2 x 2	66.00
990011	RV rack w/ folding tilt legs	20	1	3	21 x 2 x 2	72.00
990012	RV rack w/ folding tilt legs	24	1	3	25 x 2 x 2	78.00
990013	RV rack w/ folding tilt legs	28	1	3	29 x 2 x 2	84.00
990014	RV rack w/ folding tilt legs	32	1	4	33 x 2 x 2	89.00
990016	RV rack w/ folding tilt legs	44	2	5	45 x 2 x 2	108.00
990017	RV rack w/ folding tilt legs	52	2	5	53 x 2 x 2	119.00
990032	RV rack w/ folding tilt legs	40	2	5	41 x 2 x 2	102.00
RV Mounting Feet						
990009	RV mounting feet, set of 4	-	1	2		18.00



RV rack



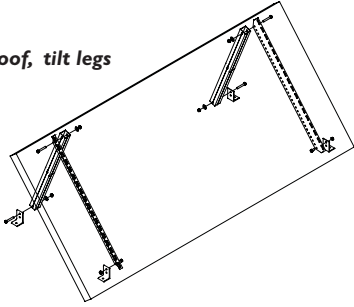
RV mounting feet

Set of four fits all modules listed on sizing chart.

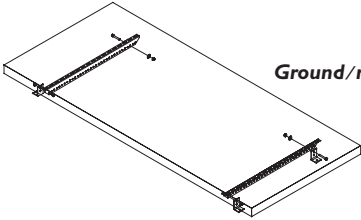
Prices and specifications are subject to change without notice.

See www.unirac.com for your nearest UniRac distributor.

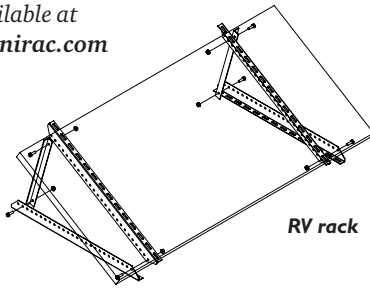
Ground/roof, tilt legs



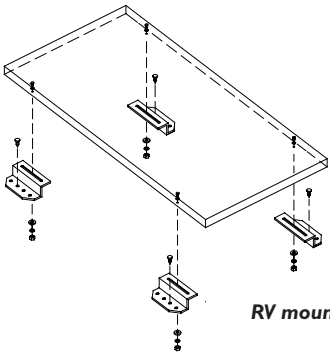
Ground/roof, flush



Complete assembly instructions are available at www.unirac.com



RV rack



RV mounting feet

Sizing Chart

Module make and model	Ground/roof flush rack for 1 module	Ground/roof fixed tilt leg rack for 1 module	RV rack with folding tilt legs for 1 module	RV rack with folding tilt legs for 2 modules
BP Solar				
BP350, -375, -380, -580, -585	990003	990004	990012	990016
BP365	990001	990002	990011	990032
BP3125	990005	990006	990013	
BP3150, -3160, -4150, -4160, -4170	990007	990008	990014	
Evergreen				
EC47, -51, -55, -102, -110, -115	990005	990006	990013	990017
First Solar				
FS50D	990005	990006	990013	990017
GE Energy				
GE50, -100, -110	990005	990006	990013	990017
GE65, -70	990003	990004	990012	990016
GE165	990026	990027	990032	
Isototon				
I-100	990005	990006	990013	990017
I-150S	990028	990029	990016	
I-165	990026	990027	990032	
Kyocera				
KC35, -40, -45, -50, -60, -70, -80, -120	990005	990006	990013	990017
KCI67G	990026	990027	990032	
KCI87G	990028	990029	990016	
Photowatt				
PW750	990003	990004	990012	990016
PW1250	990026	990027	990032	
PW1650	990028	990029	990016	
RWE Schott				
SAPC165	990007	990008	990014	
Sharp				
NE-80UI	990003	990004	990012	990016
ND-123UI	990005	990006	990013	990017
NE-165UI, NT-175UI, -185UI	990007	990008	990014	
Shell				
SM55, ST40	990030	990031	990010	990013*
SM110	990005	990006	990013	990017
SQ70, -75, -80	990003	990004	990012	990016
SQ140, -150, -160	990007	990008	990014	
SunWize				
SW85, -90, -95	990003	990004	990012	990017
SW115, -120	990005	990006	990013	990017
SW155L, -165L	990026	990027	990032	
UniSolar				
US21, -32	990030	990031	990010	990014*
US42, -64	990007	990008	990014	

*Requires one additional set of module mounting hardware (item 321203, list price \$1.75).

Call UniRac or your PV dealer for any module not listed.



THE STANDARD IN PV MOUNTING STRUCTURES™

1411 Broadway NE, Albuquerque NM 87102-1545 USA

10 year limited Product Warranty

UniRac, Inc., warrants to the original purchaser ("Purchaser") of product(s) that it manufactures ("Product") at the original installation site that the Product shall be free from defects in material and workmanship for a period of ten (10) years, from the earlier of 1) the date the installation of the Product is completed, or 2) 30 days after the purchase of the Product by the original Purchaser. This Warranty does not cover damage to the Product that occurs during its shipment, storage, or installation. This Warranty shall be VOID if installation of the Product is not performed in accordance with UniRac's written installation instructions, or if the Product has been modified, repaired, or reworked in a manner not previously authorized by UniRac IN WRITING, or if the Product is installed in an environment for which it was not designed. UniRac shall not

be liable for consequential, contingent or incidental damages arising out of the use of the Product by the Purchaser under any circumstances. If within the specified Warranty period the Product shall be reasonably proven to be defective, then UniRac shall repair or replace the defective Product, or any part thereof, in UniRac's sole discretion. Such repair or replacement shall completely satisfy and discharge all of UniRac's liability with respect to this limited Warranty. Under no circumstances shall UniRac be liable for special, indirect or consequential damages arising out of or related to use by Purchaser of the Product. Manufacturers of related items, such as PV modules and flashings, may provide written warranties of their own. UniRac's limited Warranty covers only its Product, and not any related items.

www.unirac.com