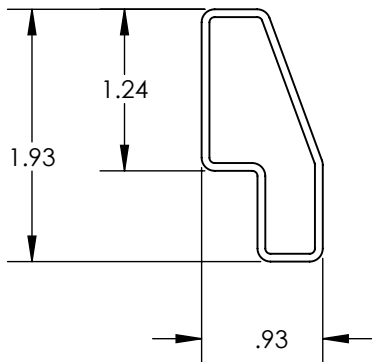
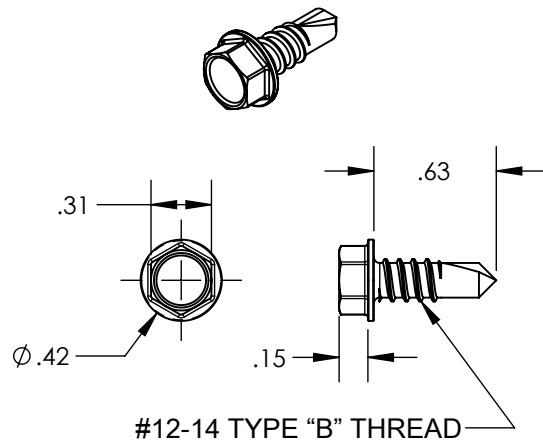


### 1) Splice, XR100, Mill 12" long



Property	Value
Material	6000 Series Aluminum
Finish	Mill

### 2) Screw, Self Drilling



Property	Value
Material	300 Series Stainless Steel
Finish	Clear