



SolarEdge Electricity Meter

for North America

SE-MTR240-0-000-S2

ACCESSORIES



SolarEdge Electricity Meter

- Simple installation and connectivity
- Type NEMA 3R enclosure for outdoor protection
- Provides high accuracy meter readings
- Communicates over RS485 to provide monitoring data
- Suitable for export limitation, consumption monitoring and StorEdge™ applications

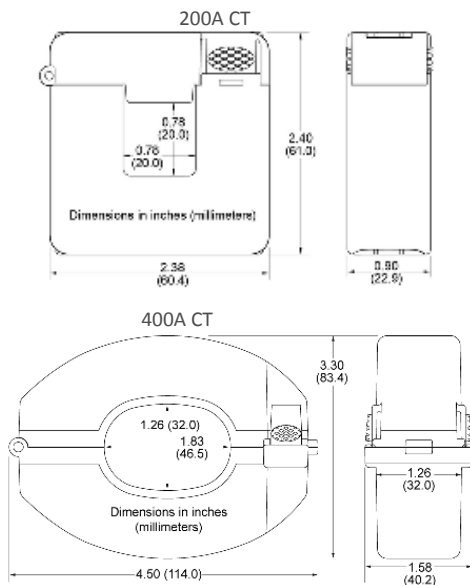


SolarEdge Electricity Meter for North America

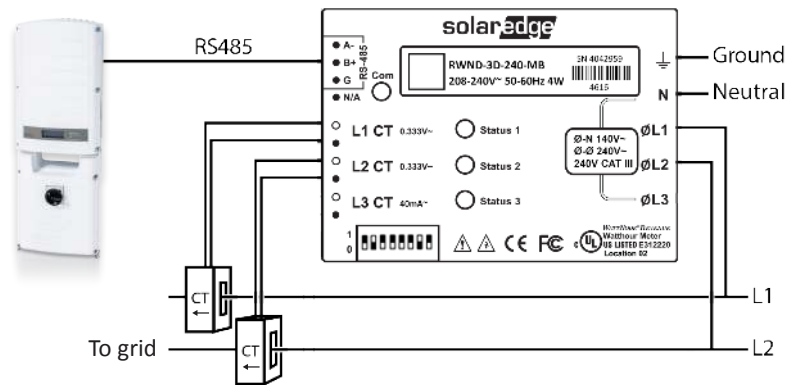
SE-MTR240-0-000-S2

	SE-MTR240-0-000-S2	UNITS
METER ELECTRICAL SERVICE		
Meter Operating Voltage Range - Line to Line	211 - 264	Vac
AC Frequency	60	Hz
Grids Supported	L1 / L2 / N / PE	
Power Consumption (typ.)	1.2	W
COMMUNICATION		
Meter Communication Interfaces	RS485	
Response Time	≤1 sec	
Device ID (Modbus)	2	
METER ACCURACY (@77°F / 25°C, PF:0.7- 1)		
1% - 100% of Rated CT Current	±1.0	%
STANDARD COMPLIANCE		
Safety	UL508A	
Emissions	FCC part15 class B	
INSTALLATION SPECIFICATIONS		
Dimensions (HxWxD)	8.1 x 12.4 x 4.6 / 206.6 x 316 x 117.5	in / mm
Weight	3.9 / 1.8	lb / kg
Operating Temperature Range	-40 to +131 / -40 to +55	°F / °C
Protection Rating	NEMA Type 3R	
Conduit Entry Diameters	0.75 / 1	in / mm
Mounting Type	Wall mount	

Current Transformer Dimensions



Connecting the Electricity Meter



* Current Transformers (CTs) should be ordered separately: SEACT0750-200NA-20 (200A); SEACT1250-400NA-20 (400A). Each comes in boxes of 20.

